

M^cALPINE
Plumbing Products

Perfect Grind[®] Waste Disposal Units



Perfect Grind® Waste Disposal Units

An environmentally sound solution to the growing problem of food waste.

- 25% more torque than other brands provides more grinding power
- Unique permanent magnet motor produces higher RPM (revolutions per minute) than AC (alternating current) induction motors
- Corrosion proof cast stainless steel impellers on all models
- 180° dual swivel anti-jam impellers prevent jamming
- High efficiency performance saves time, water and energy
- Motor incorporates sound eliminating insulation technology for quiet operation
- BioGuard antimicrobial eliminates bacteria and odours
- Power cord included
- Supplied with 90° Bend x 1½" BSP thread for connection to trap



Perfect Grind®
By McAlpine Plumbing





Product Code	WDU-1UK	WDU-1ASUK	WDU-2ASUK	WDU-3ASUK
Level	Entry	Entry	Mid	High
HP - RPM	1/2 HP - 2500 RPM	1/2 HP - 2500 RPM	5/8 HP - 2500 RPM	3/4 HP - 2500 RPM
Warranty	3 Year	3 Year	8 Year	10 Year
Fixing System	3 Bolt Mount	3 Bolt Mount	3 Bolt Mount	3 Bolt Mount
Grinding System	Stainless Steel	Stainless Steel	Stainless Steel	Stainless Steel
Switch	Wall Switch	Built-in Air Switch	Built-in Air Switch	Built-in Air Switch



Perfect Grinding System

Perfect Grind® System can efficiently grind the toughest bones faster and finer than other brands and is safe for any properly sized septic system. Wear resistant and corrosion proof.

- Stainless steel, high precision, high speed dynamic balanced grinding turntable
- Stainless steel, dual swivel anti-jam impellers prevent jamming
- Stainless steel grinding rings
- Specially designed large opening, round holes and arch cutters



Corrosion Proof Grinding Chamber

Grinding chamber is constructed with the proven durability of glass filled nylon for lasting performance and is treated with BioGuard antimicrobial odour protection.

Accessories



BFKIT-1UK Batch Feed Kit

For converting continuous feed models to batch feed allowing the disposal unit cover to be used as an on/off switch.

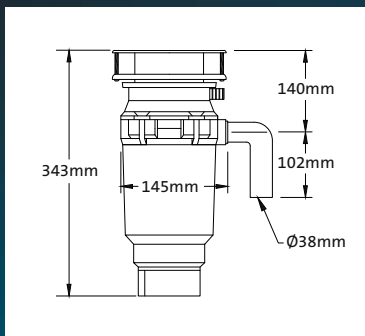


AS-UK Air Switch Adaptor

For converting WDU1-UK unit from wall switch to air switch operation.

Technical Specification

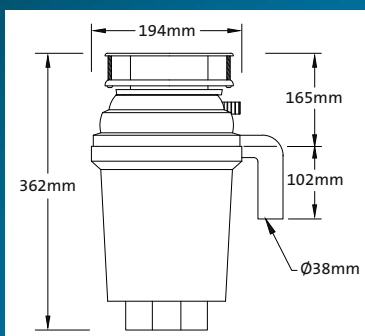
WDU-1ASUK/WDU-1UK - Perfect Grind® continuous feed 1/2 HP Food Waste Disposer



HP	1/2
Motor Type	Permanent Magnet
Feed	Continuous
Volts	220-240V
Frequency	50/60Hz
Motor Speed	2500RPM
Hopper Capacity	857ml
Balance Level	G0.4
Turntable	Stainless Steel

Grind Rings	Stainless Steel
Sink Flange	Stainless Steel
Basket Strainer	Stainless Steel
Drain Elbow	ABS
Bearings	Permanently Lubricated, Sleeve Type
Manual Reset Protector	Protection for Overload and Temp.

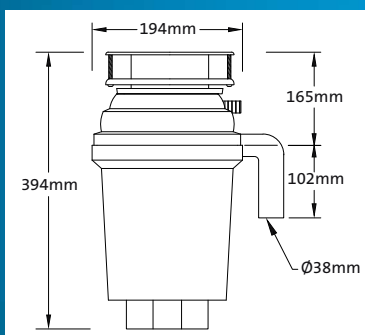
WDU-2ASUK - Perfect Grind® continuous feed 5/8 HP Food Waste Disposer



HP	5/8
Motor Type	Permanent Magnet
Feed	Continuous
Volts	220-240V
Frequency	50/60Hz
Motor Speed	2500RPM
Hopper Capacity	857ml
Balance Level	G0.4
Turntable	Stainless Steel

Grind Rings	Stainless Steel
Sink Flange	Stainless Steel
Basket Strainer	Stainless Steel
Drain Elbow	ABS
Bearings	Permanently Lubricated, Sleeve Type
Manual Reset Protector	Protection for Overload and Temp.

WDU-3ASUK - Perfect Grind® continuous feed 3/4 HP Food Waste Disposer



HP	3/4
Motor Type	Permanent Magnet
Feed	Continuous
Volts	220-240V
Frequency	50/60Hz
Motor Speed	2500RPM
Hopper Capacity	857ml
Balance Level	G0.4
Turntable	Stainless Steel

Grind Rings	Stainless Steel
Sink Flange	Stainless Steel
Basket Strainer	Stainless Steel
Drain Elbow	ABS
Bearings	Permanently Lubricated, Sleeve Type
Manual Reset Protector	Protection for Overload and Temp.



McAlpine & Co Ltd

Kelvin Avenue, Hillington, Glasgow G52 4LF, UK. Tel: +44 (0) 141 882 3213
 Fax: +44 (0) 141 891 5065 Fax: (Sales Office) +44 (0) 141 883 5697

www.mcalpineplumbing.com