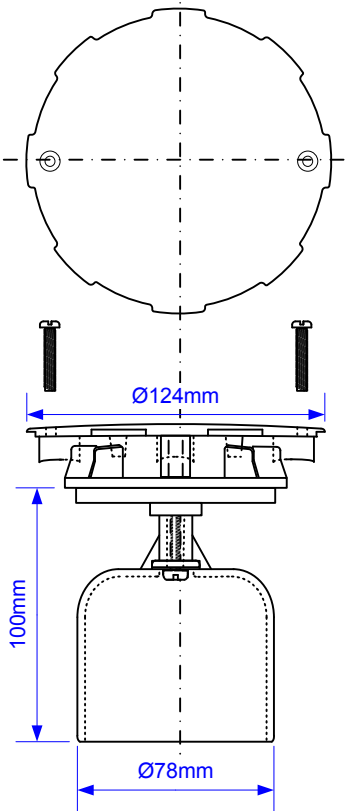


Code:

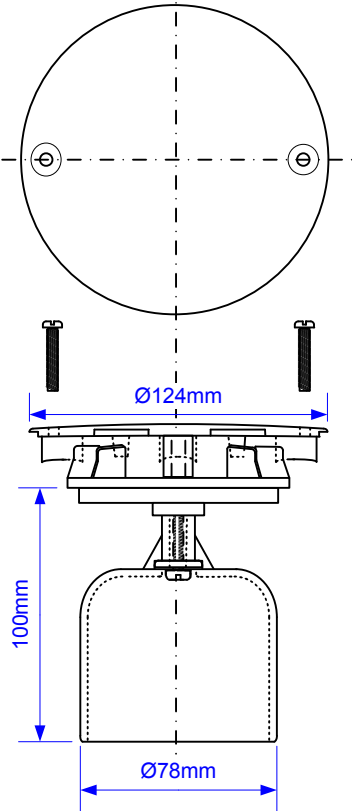
# 50mm Trapped Gully with Side Inlet for use with Sheet Flooring.



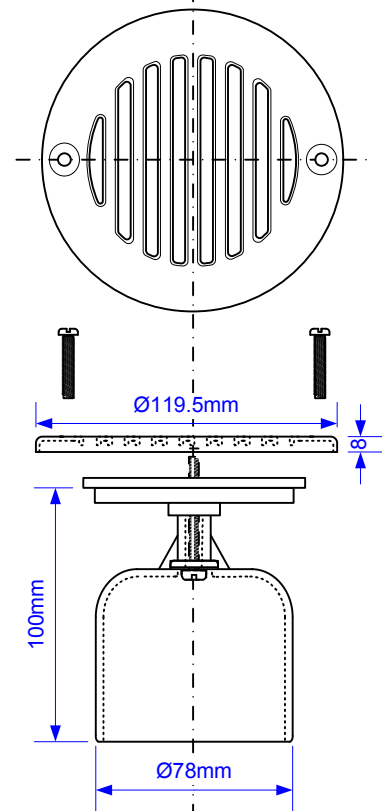
Grid and Tube dimensions for  
**TSG3-WH**



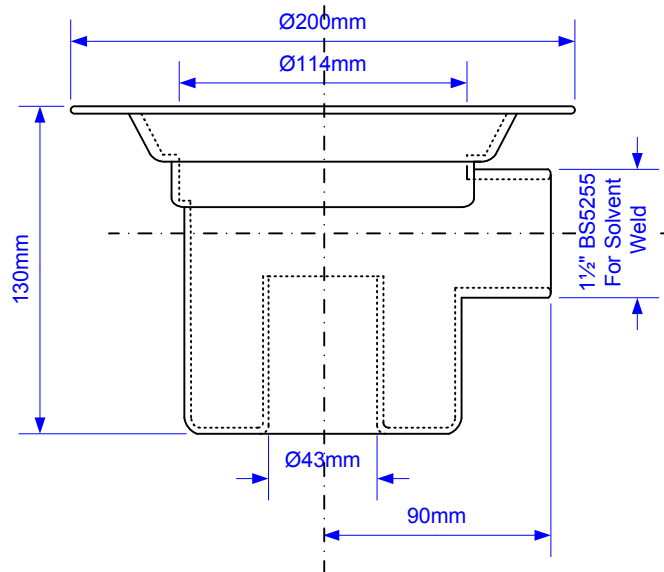
Grid and Tube dimensions for  
**TSG3SS**



Grid and Tube dimensions for  
**TSG3SS-SL-SC (with screws)**  
**TSG3SS-SL-NSC (no screws)**



**Each  
product  
uses this  
Trap Body**



***50mm Water Seal***

Drawing verified  
correct as of:

28/08/2017  
RM

DRAWN BY

RM

REVISED

SCALE

1: 3

FILENAME

50MM SHEET FLOORING TRAPS WITH SIDE INLET.VSD

DATE

28/08/2017