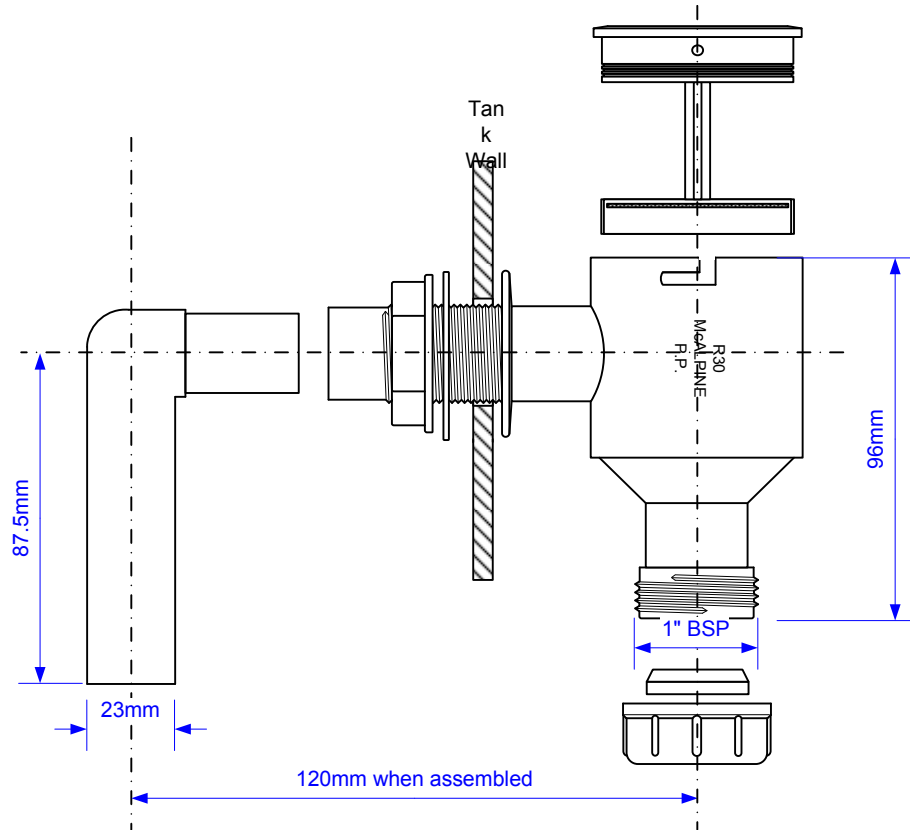


Code:

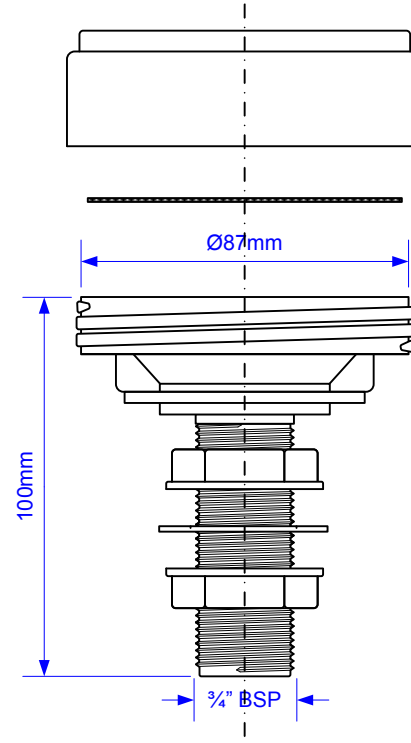
BL30-3/4

All Stainless Seal filters complied with Bye-law 30

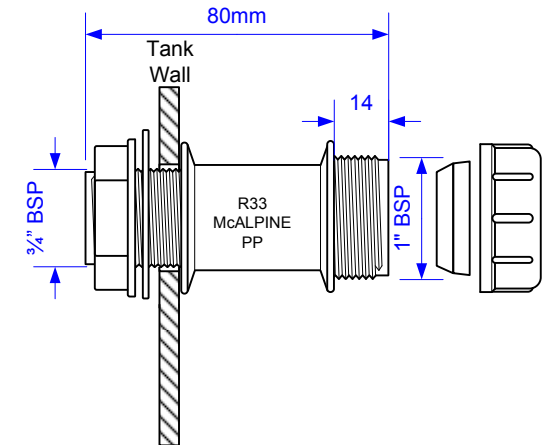
R30



R31



R33



Drawing verified correct as of:

30/03/2015
RM

DRAWN BY

RM

REVISED

16/02/2011, 08/10/2013, 30/03/2015

SCALE

1:2

FILENAME

BL30-3~4.VSD

DATE

30/03/2015