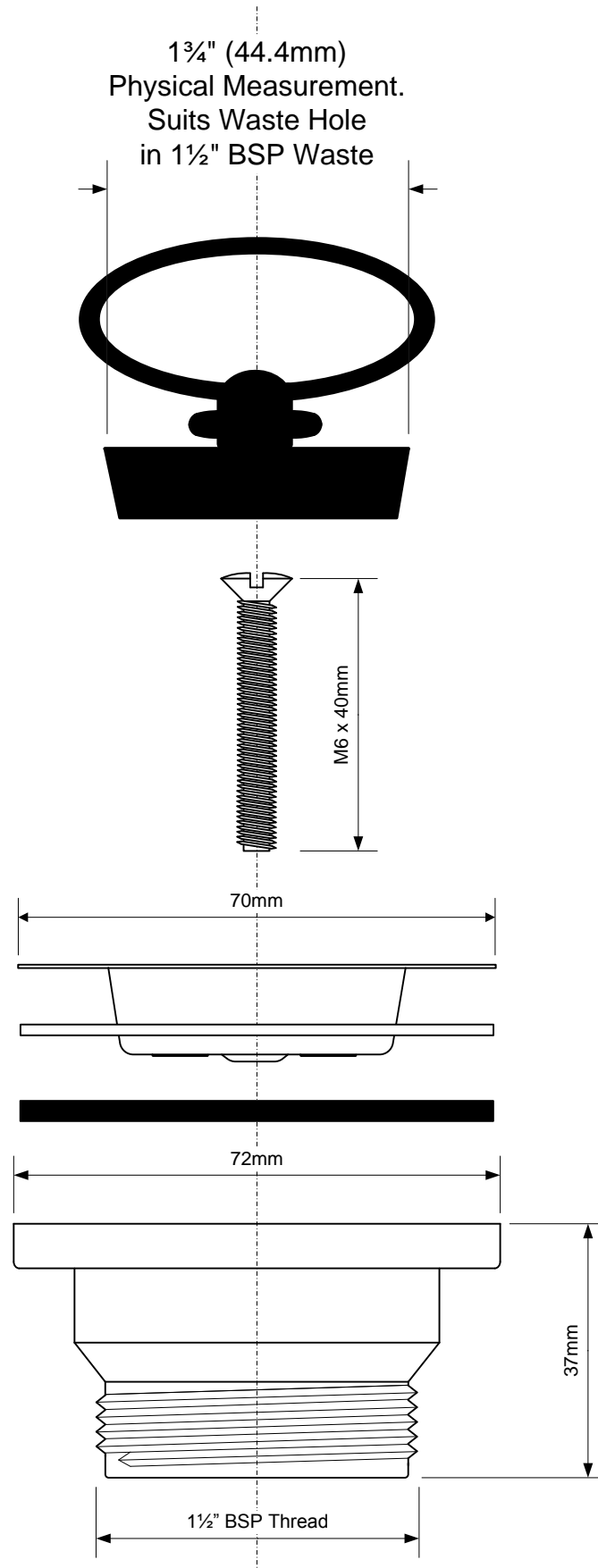


Code:

BSW10PR



©  
McALPINE

Drawing verified  
correct as of:

12.06.13  
TC

DRAWN BY

TC

REVISED

1 - Re-drawn to scale

FILENAME

BSW10PR.VSD

SCALE

1: 1

DATE

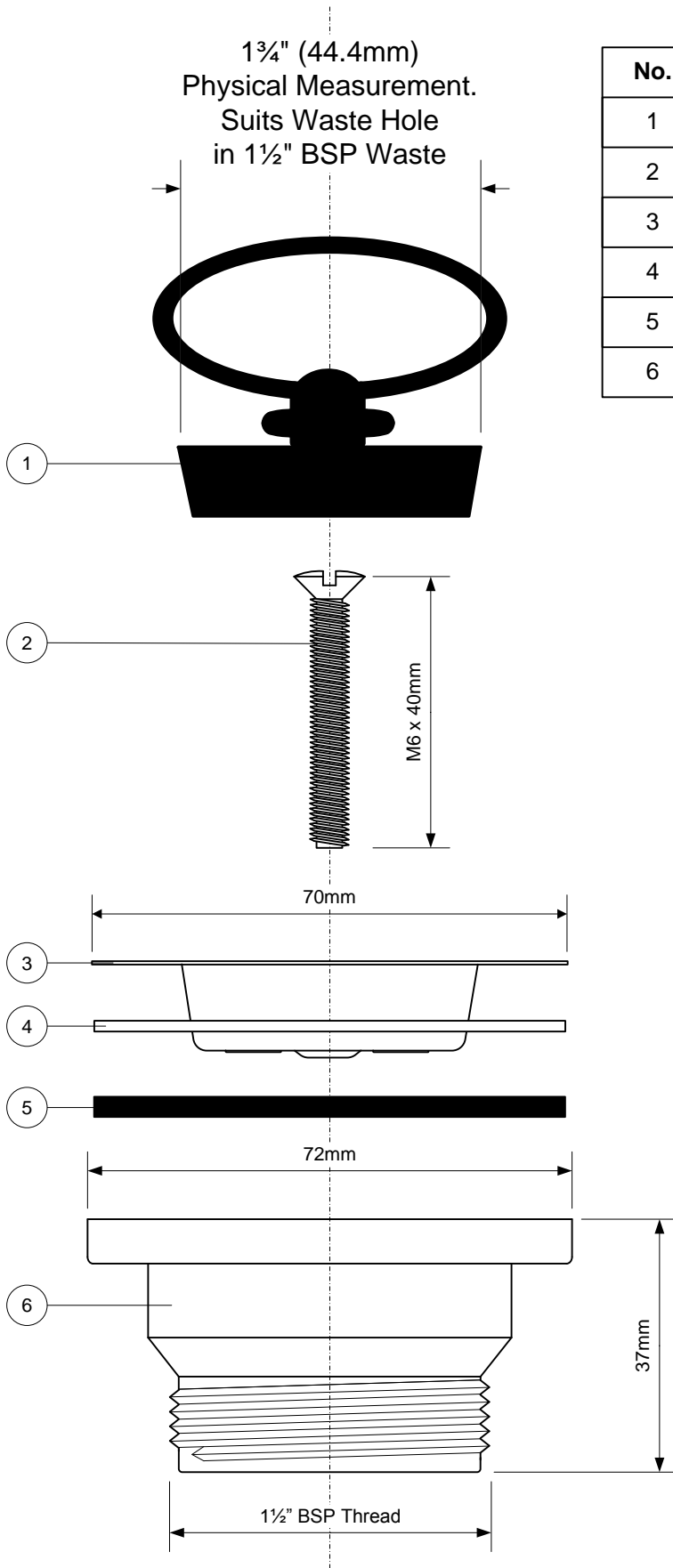
12.06.13

**Code:**

**BSW10PR**

1 3/4" (44.4mm)  
Physical Measurement.  
Suits Waste Hole  
in 1 1/2" BSP Waste

No.	Qty	Code	Material
1	1	BP4H	P.V.C
2	1	P-CPIN-40MM	Stainless Steel
3	1	P-F-70P-BA	Stainless Steel
4	1	P-SPW-65MM	Polyethylene
5	1	RWW6	Nitrile
6	1	226024	Polypropylene



©  
McALPINE

Drawing verified  
correct as of:

12.06.13  
TC

DRAWN BY

TC

REVISED

1 – Re-drawn to scale

FILENAME

BSW10PR.VSD

SCALE

1: 1

DATE

12.06.13