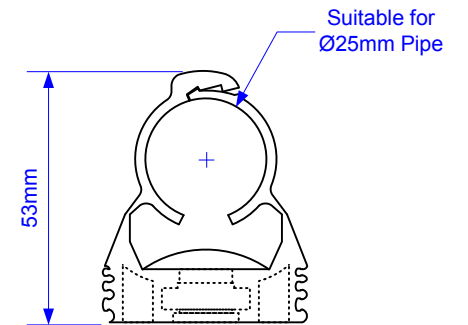
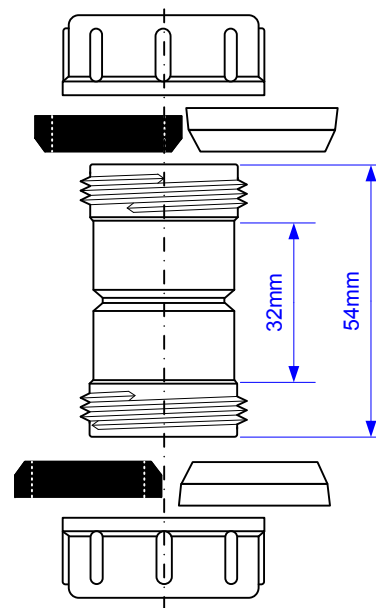
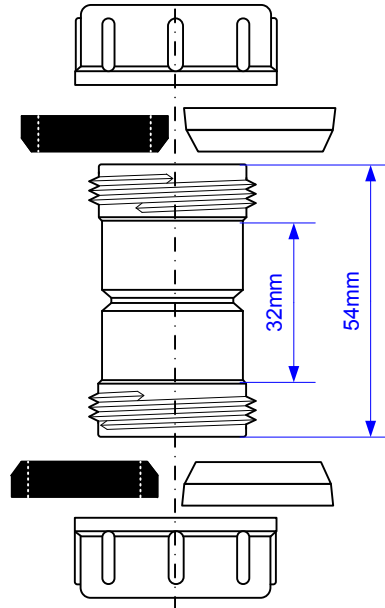
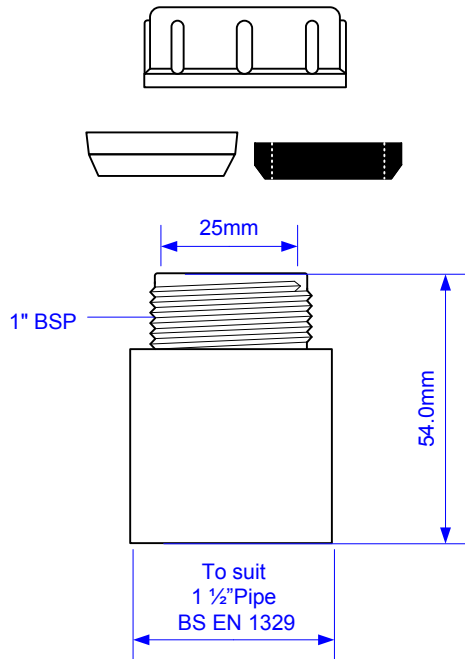
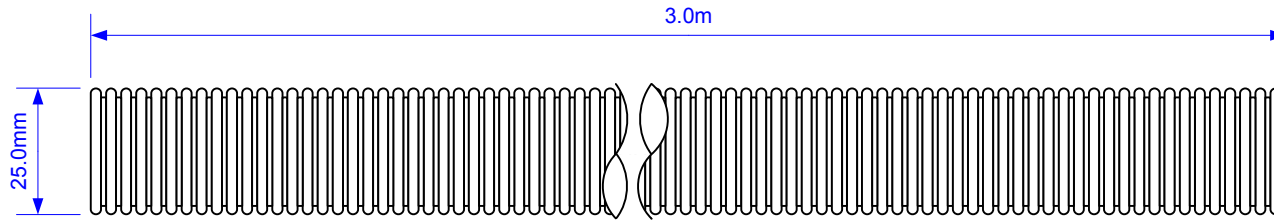


Code:

CONFLEX-KIT1



Drawing verified
correct as of:

16/05/2012

DRAWN BY

RM

REVISED

16/05/2012

FILENAME

CONFLEX-KIT1.VSD

SCALE

1: 1.5

DATE

16/05/2012