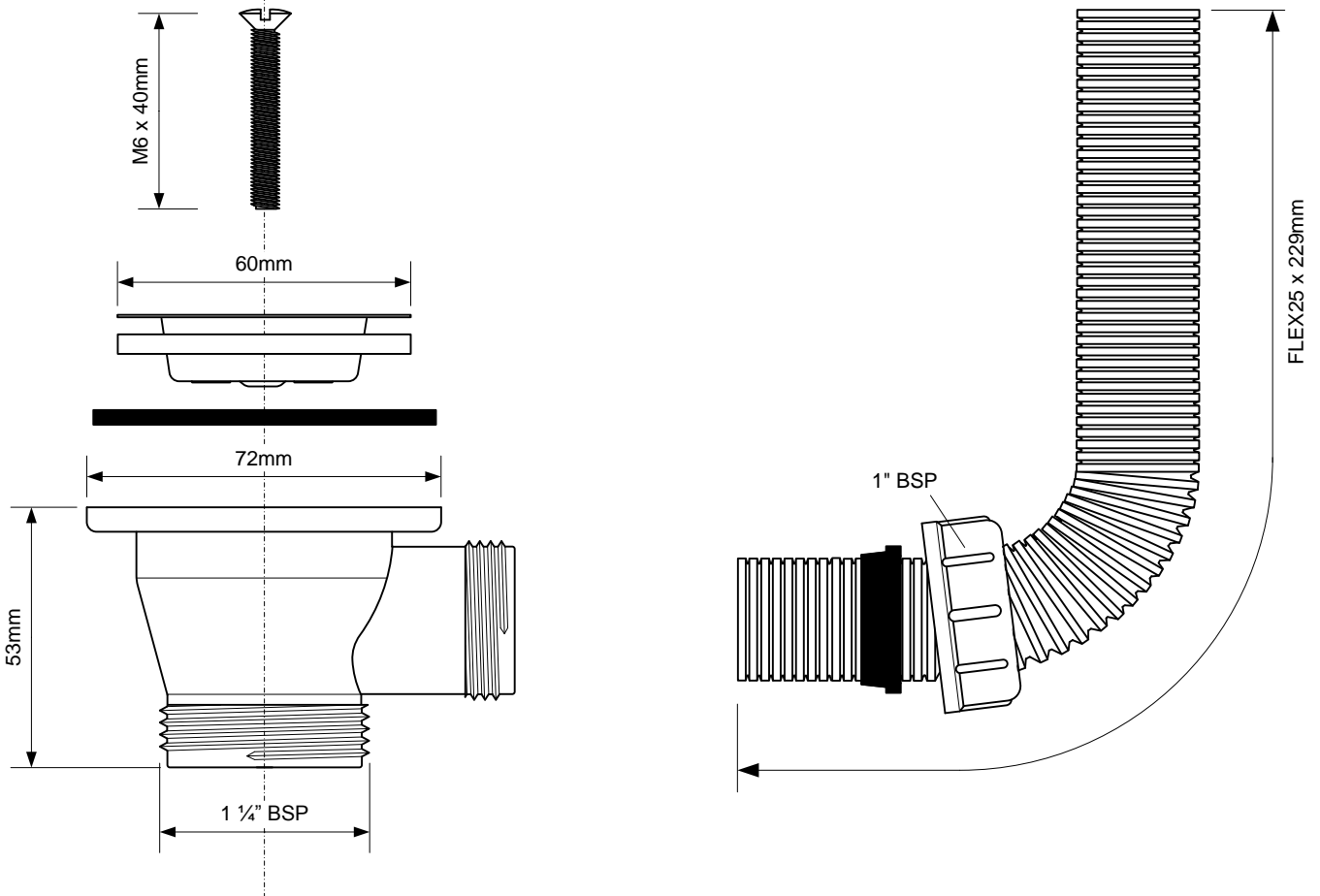
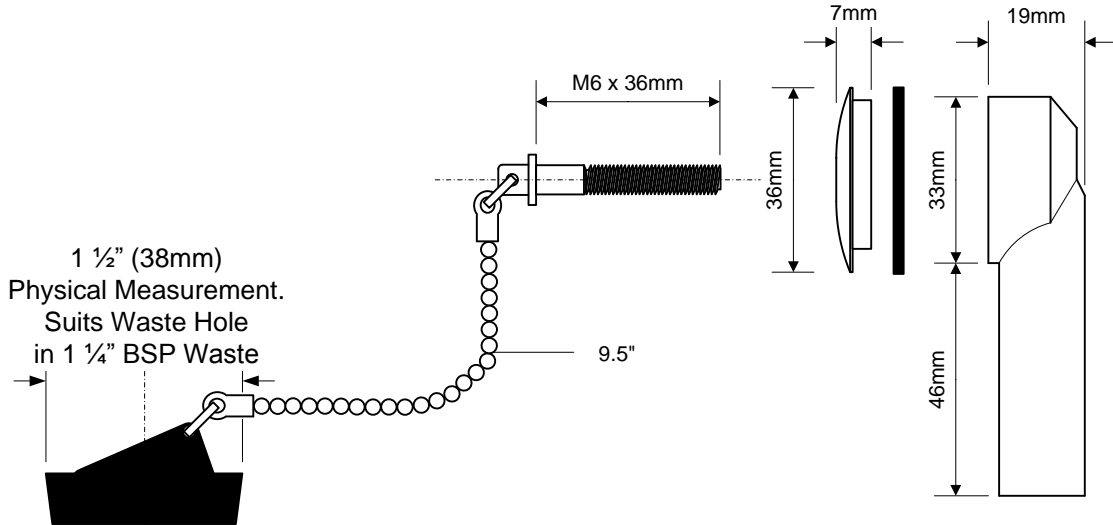


Code:

FVW1P



©

McALPINE

Drawing verified
correct as of:

24.04.14
TC

DRAWN BY

TC

REVISED

1 - Re-drawn with correct o/flow

SCALE

1: 1.5

FILENAME

FVW1P.VSD

DATE

24.04.14