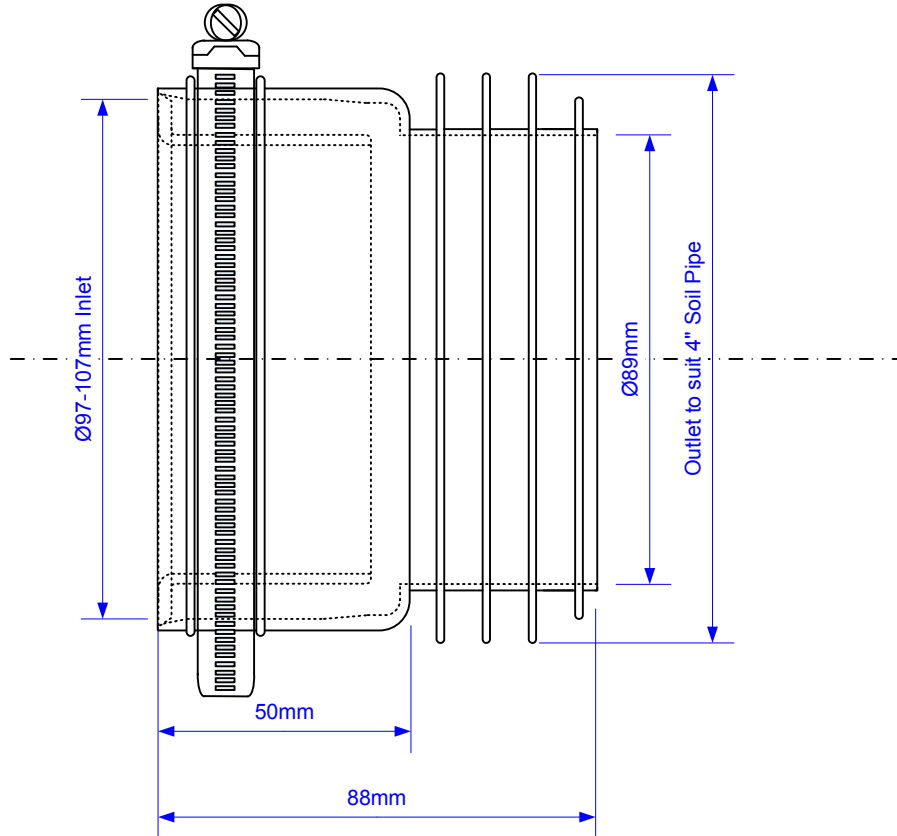


Code:

MAC-1-BTW



Drawing verified
correct as of:

13/05/2015
RM

DRAWN BY

RM

REVISED

09/02/2015, 13/05/2015

FILENAME

MAC-1-BTW.VSD

SCALE

1: 1.5

DATE

15/05/2015