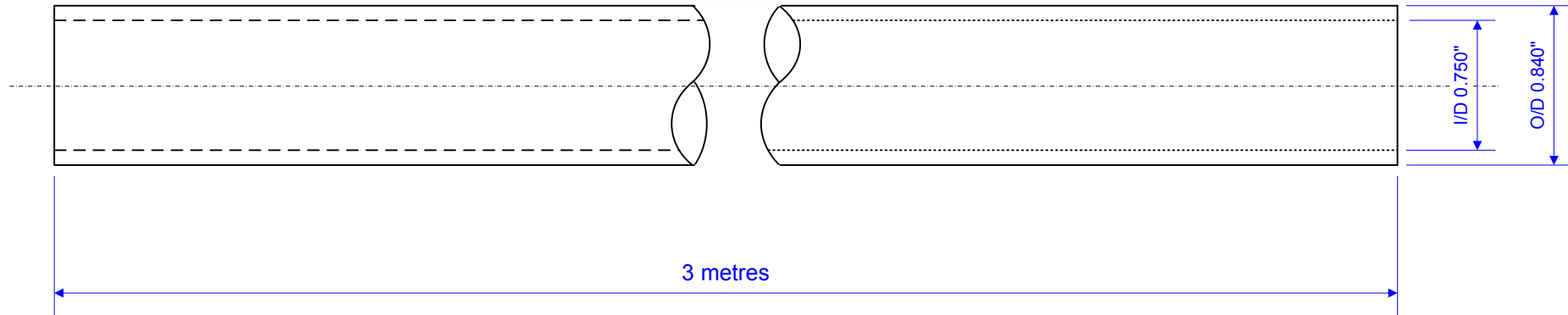


Code:

R-3M

¾ OVERFLOW PIPE-3 METRES



MATERIAL: HDPE

©
McALPINE

Drawing verified correct as of:

10.09.14
T.C.

DRAWN BY

TC

SCALE

NOT TO SCALE

REVISED

REV 1: amend drawing to show both internal bore size as well as the o/d (TC 11.06.13)
REV 2: Check Sizes, add material (TC 10.09.14)

FILENAME

R-3M.VSD

DATE

11.06.13