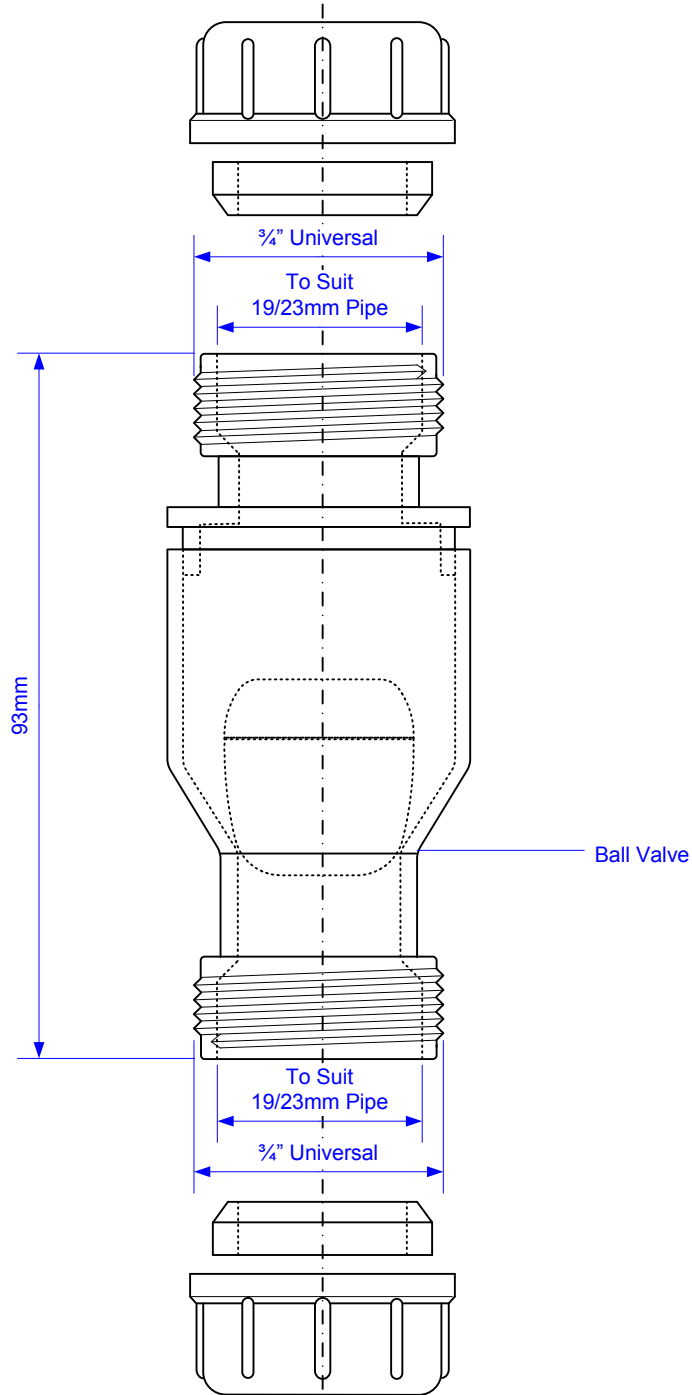


Code:

# R28-NRV



Drawing verified  
correct as of:

14/09/2016  
RM

DRAWN BY

RM

SCALE

1: 1

REVISED

22/05/2014, 03/11/2014  
04/03/2015, 14/09/2016

FILENAME

R28-NRV.VSD

DATE

14/09/2016