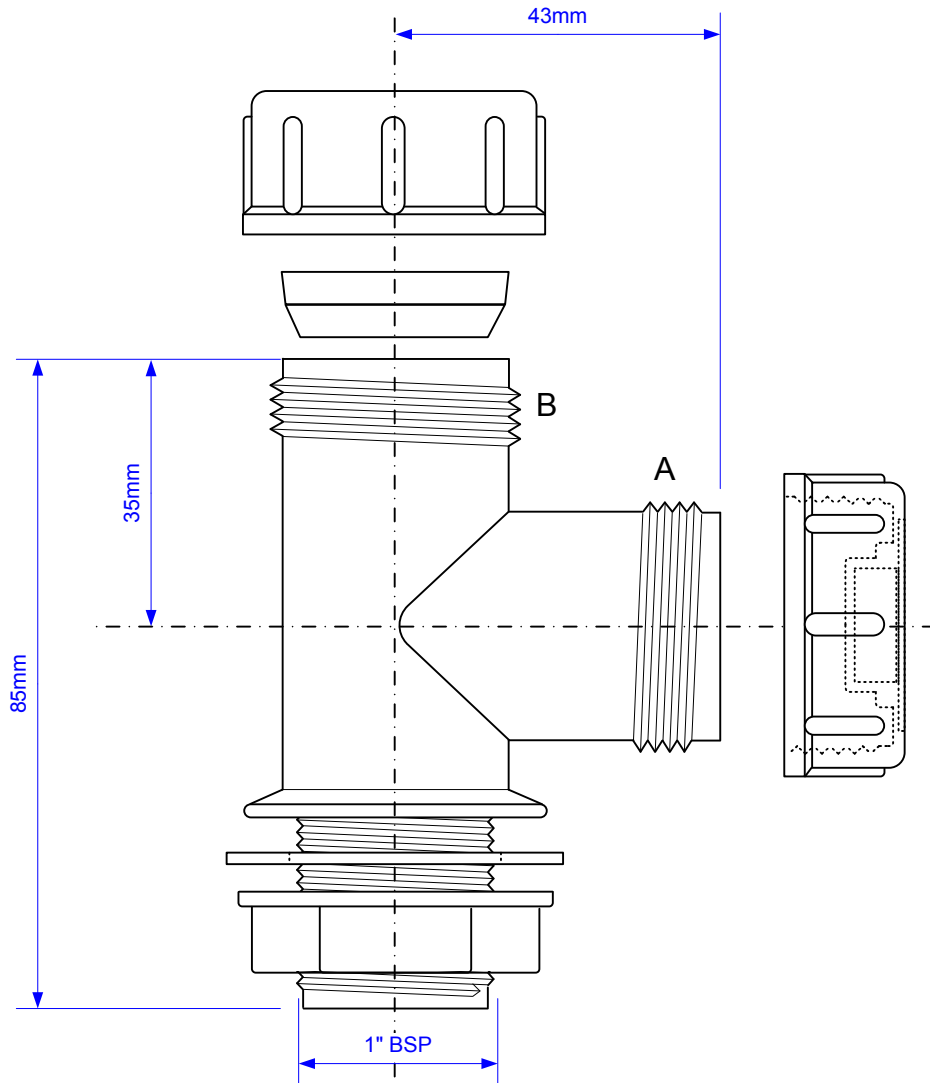


Code:

# R34



Note: Blanking Cap (5) can be used in position A or B as required

© McALPINE  
01/04/2009

Drawing verified  
correct as of:

01/04/2009  
RM

DRAWN BY

RM

REVISED

SCALE

1:1

FILENAME

R34.VSD

DATE

01/04/2009