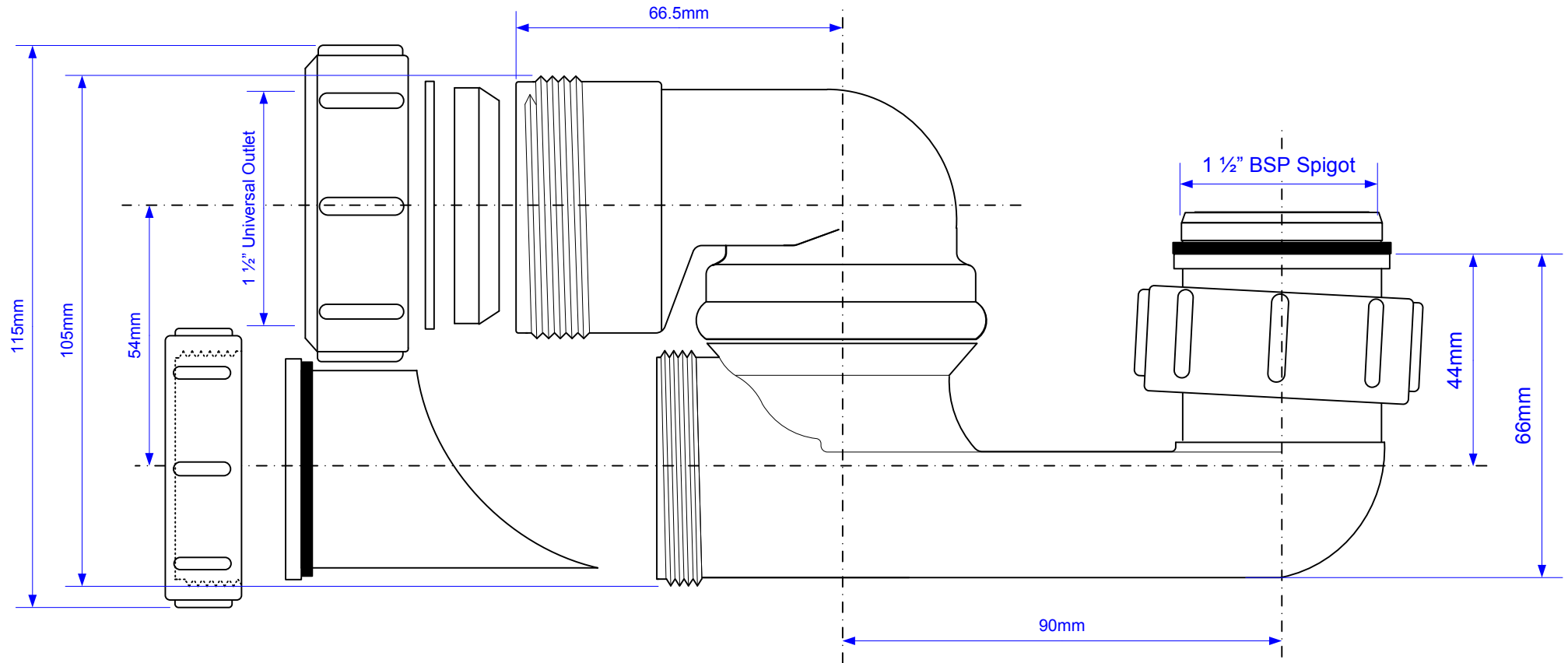


Code:

# SMP10



McALPINE

Drawing verified correct as of:

06/01/2010  
RM

DRAWN BY	RM
SCALE	1: 1.2

REVISED	06/10/2009, 09/02/2010 20.04.12 (TC) show o/flow as exploded view
	24.08.12 (TC c/n J526) Remove SMP10-NEW, Add SMP10, scaled as per SMP31-NEW
	05/02/2013 (RM)

FILENAME	SMP10.VSD
DATE	05/02/2013