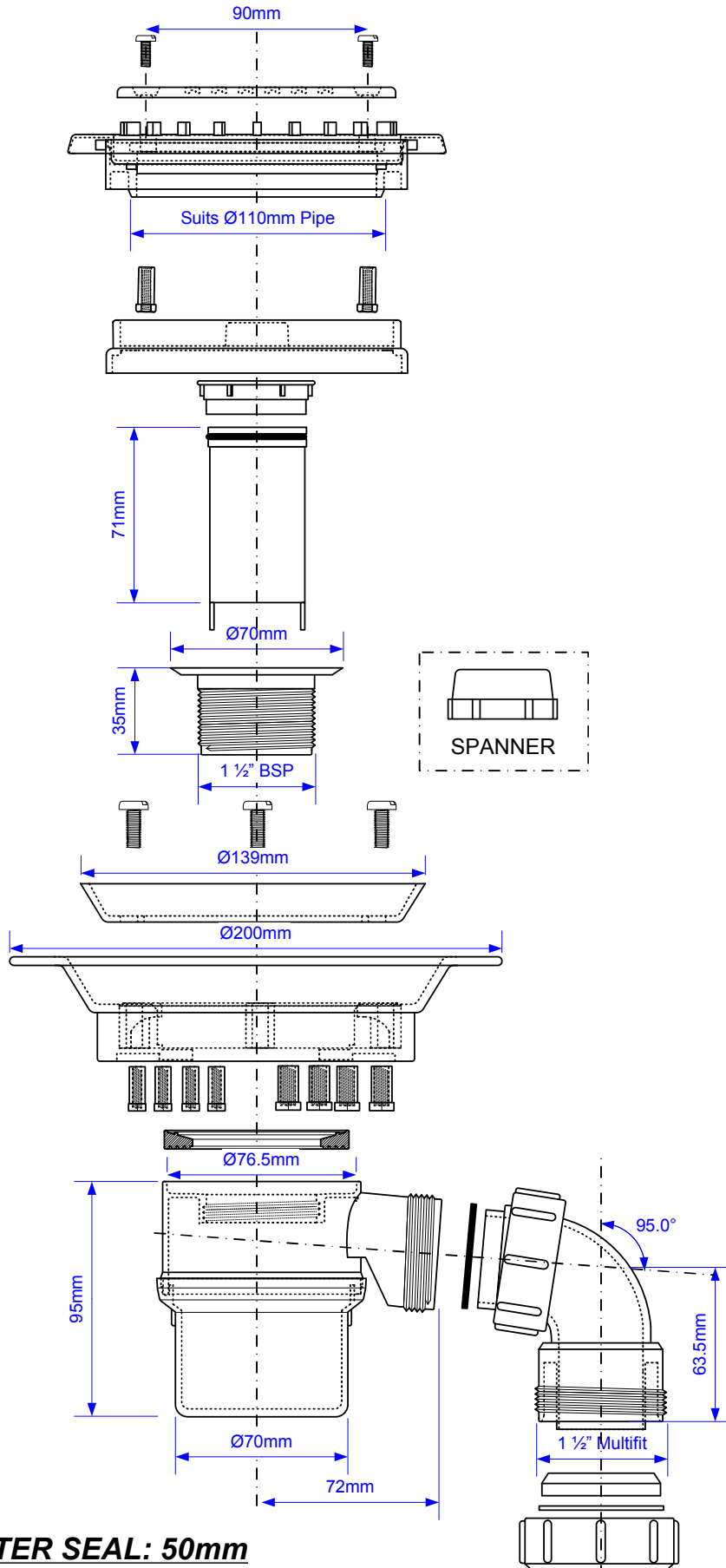


Code:

TSG1T6SSSTW295



WATER SEAL: 50mm

Drawing verified
correct as of:

18/08/2015
RM

DRAWN BY

RM

SCALE

1: 2.5

REVISED

30/03/2010, 07/04/2010,
12/03/2015, 18/08/2015

FILENAME

TSG1T6SSSTW295.VSD

DATE

18/08/2015