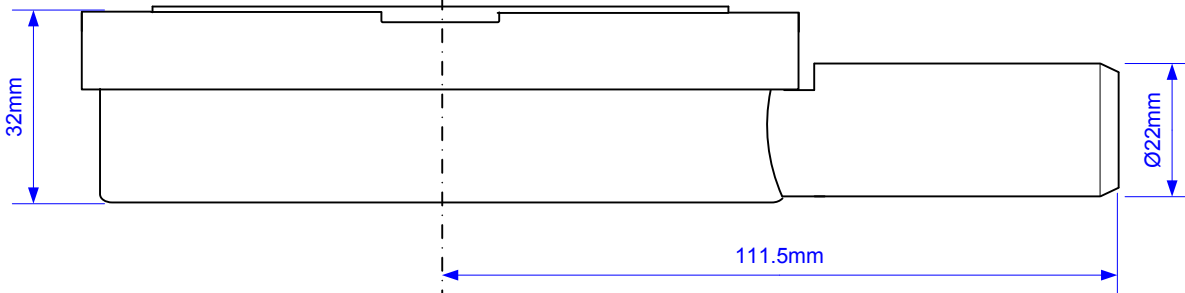
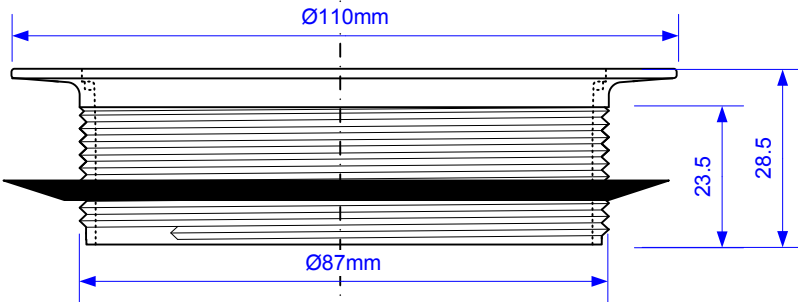
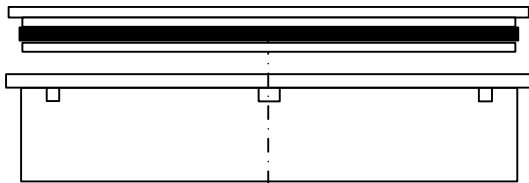
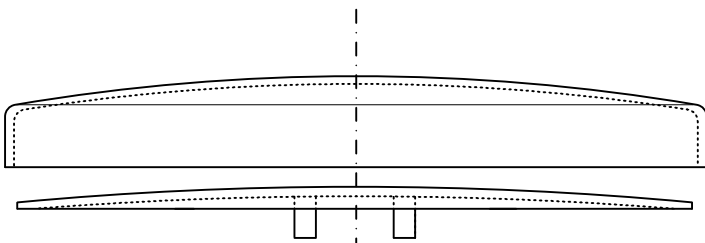
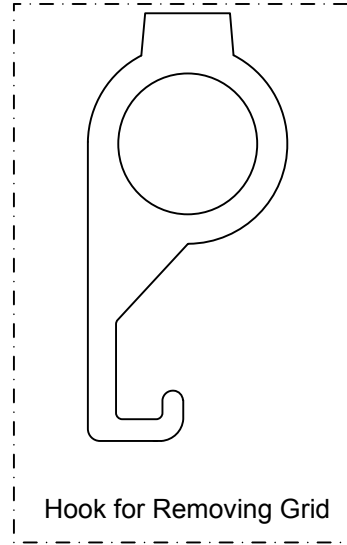
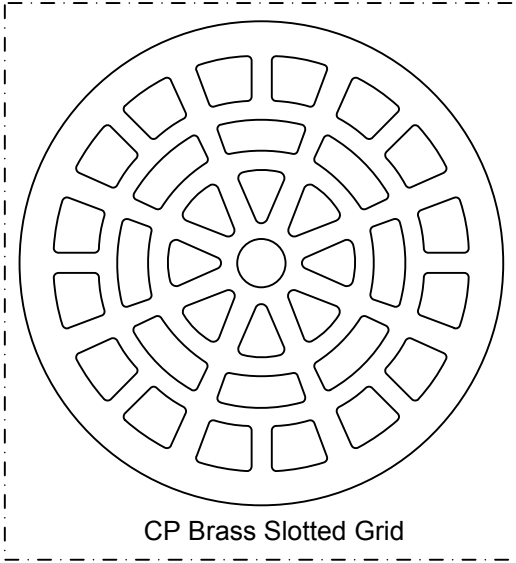


Code:

UPSW-4-22MM



Drawing verified
correct as of:

30/08/2016
RM

DRAWN BY

RM

SCALE

1: 1.25

REVISED

14/12/2005, 16/04/2012
23/06/2014, 12/08/2016,
30/08/2016

FILENAME

UPSW-4-22MM.VSD

DATE

30/08/2016