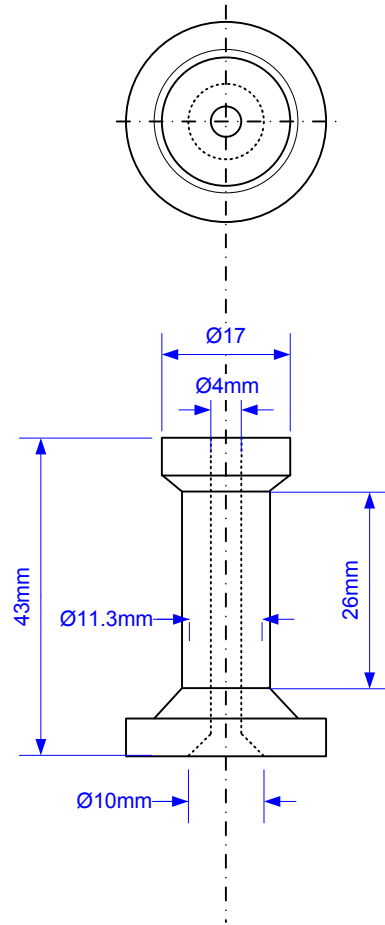


Code:

USGLEG1



Drawing verified
correct as of:

06/02/2017
RM

DRAWN BY

RM

REVISED

06/02/2017

FILENAME

USGLEG1.VSD

SCALE

1:1

DATE

06/02/2017