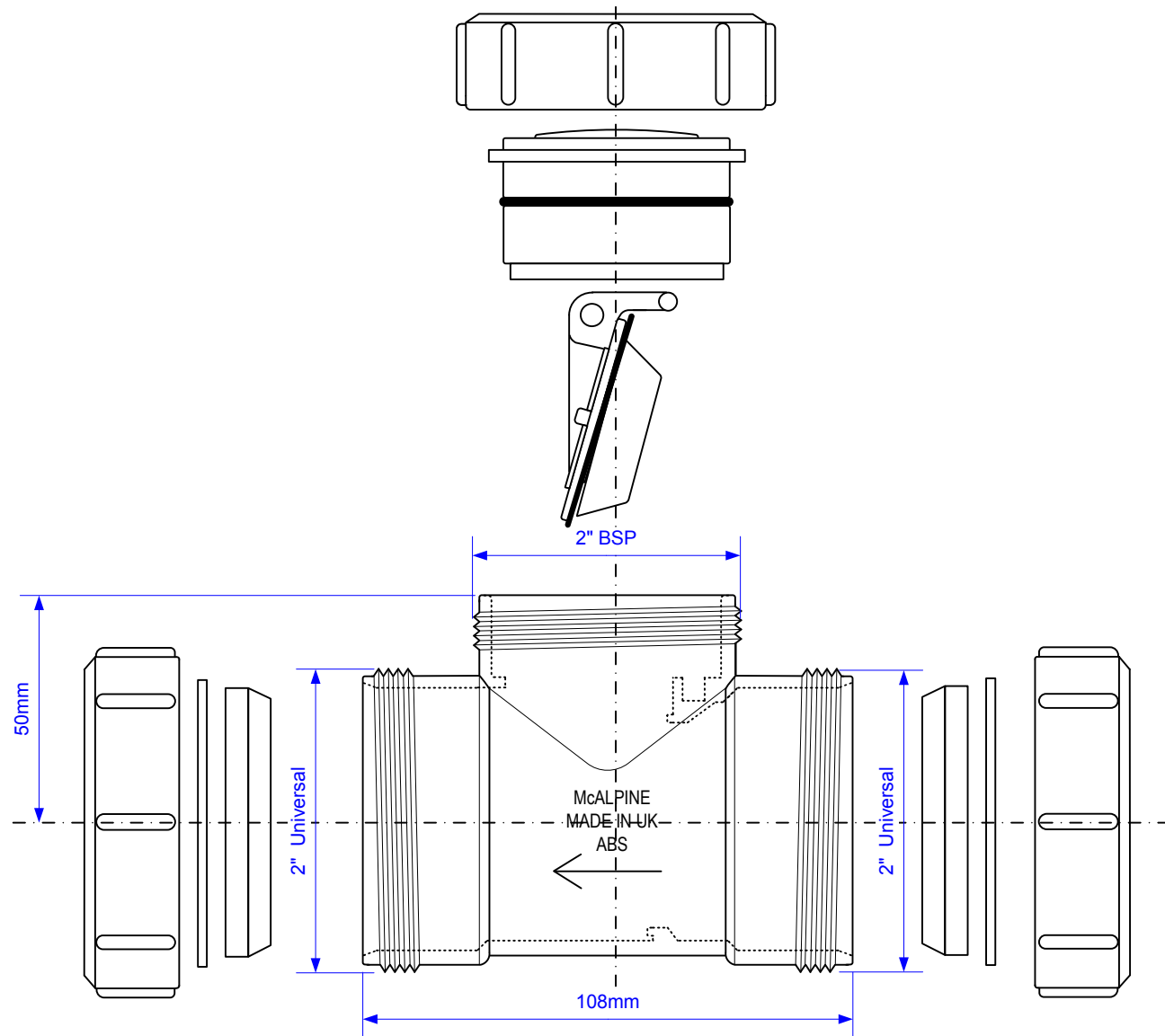


Code:

# Z28M-NRV



© McALPINE  
16/08/2011

Drawing verified correct as of:

08/02/2016  
RM

DRAWN BY

RM

REVISED

16/08/2011, 16/03/2015, 08/02/2016

SCALE

1: 1.5

FILENAME

Z28M-NRV.VSD

DATE

08/02/2016