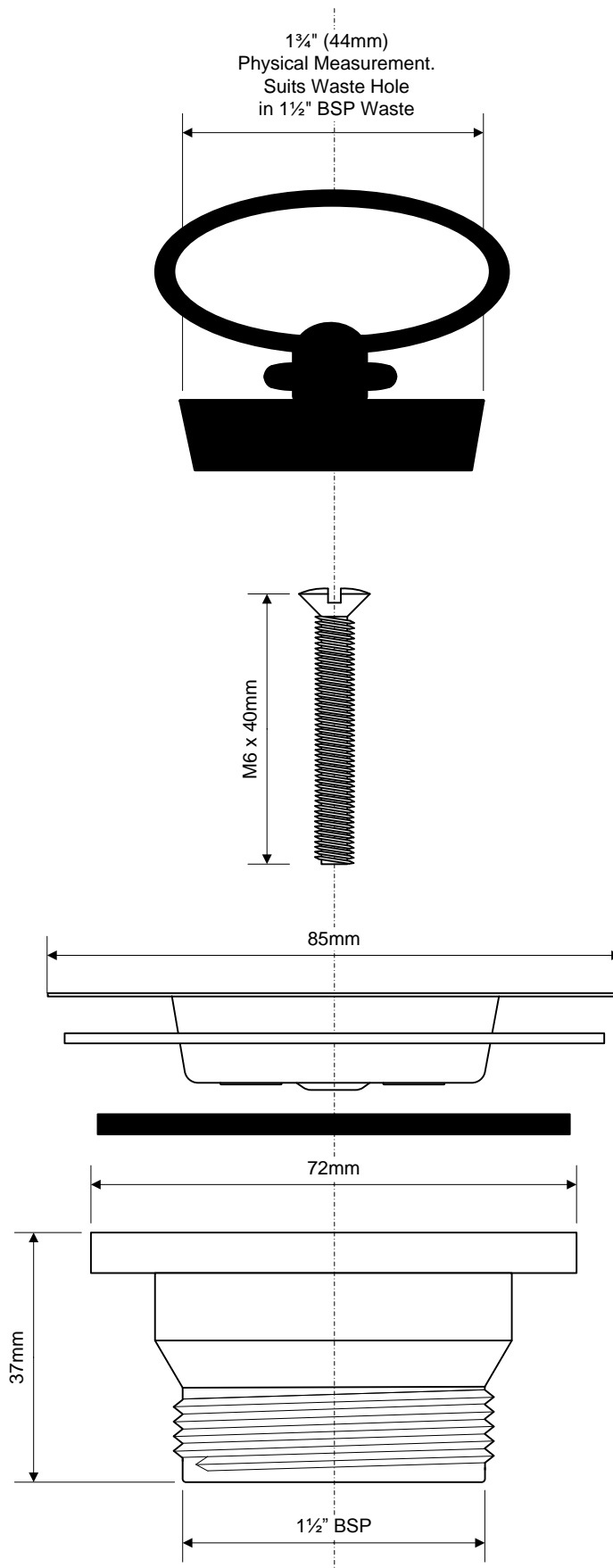


Code:

BSW6PR



©

McALPINE

Drawing verified  
correct as of:

10.07.14  
T.C.

DRAWN BY

TC

SCALE

1: 1

REVISED

1 - Re-drawn to scale & add  
pg2 (10.07.14 TC)

FILENAME

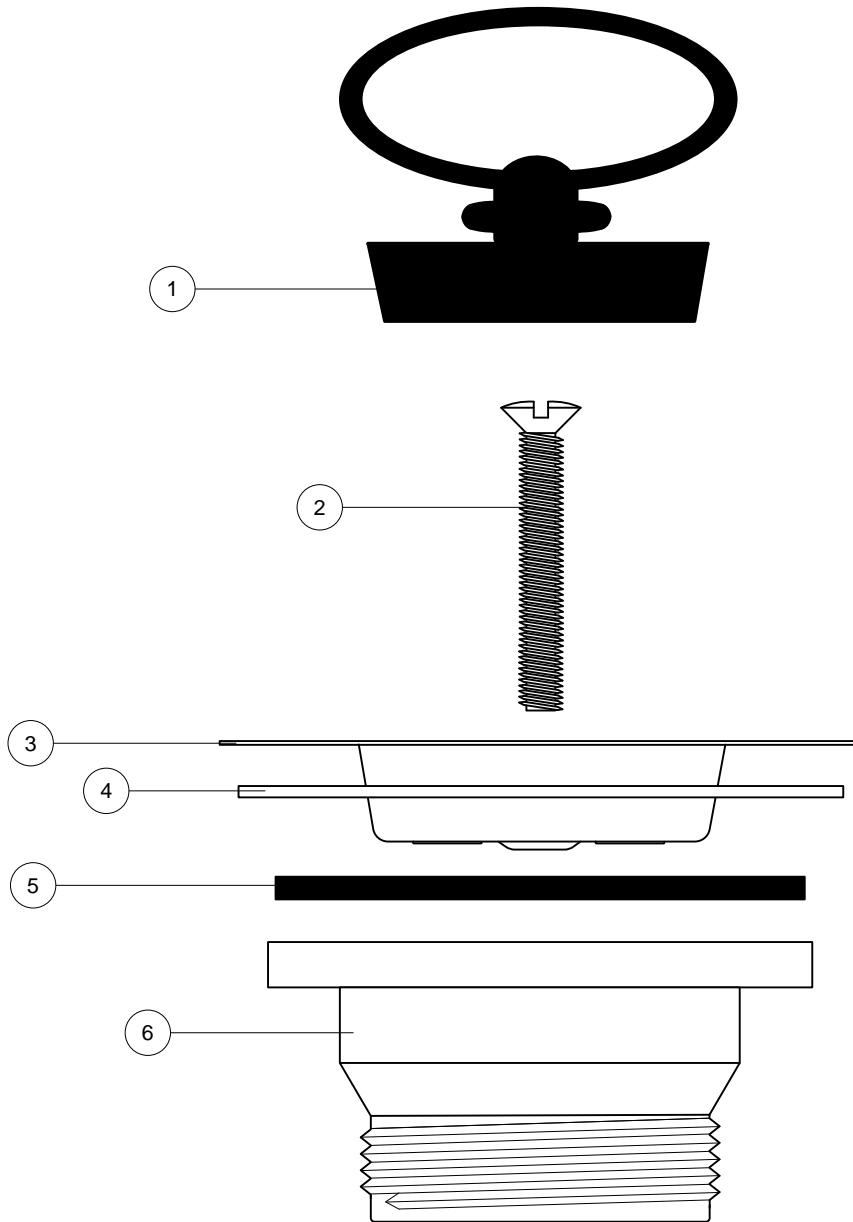
BSW6PR.VSD

DATE

10.07.14

**Code:**

**BSW6PR**



No.	Qty	Code	Material
1	1	BP4H	PVC
2	1	P-CPIN-40MM	Stainless Steel
3	1	P-F-85P-BA	Stainless Steel
4	1	P-SPW-80MM	Polyethylene
5	1	RWW6	Nitrile
6	1	226028	Polypropylene

©

McALPINE

Drawing verified  
correct as of:

10.07.14  
T.C.

DRAWN BY

TC

REVISED

1 – Re-drawn to scale & add  
pg2 (10.07.14 TC)

FILENAME

BSW6PR.VSD

SCALE

1: 1

DATE

10.07.14