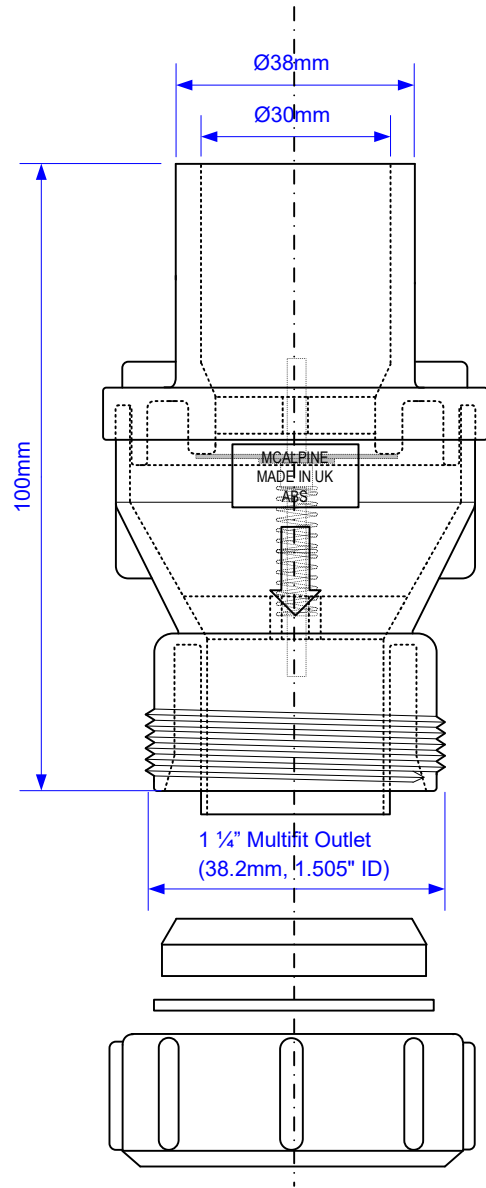


Code:

# CONVALVE-125P



Drawing verified  
correct as of:

13/06/2019  
RM

DRAWN BY

RM

REVISED

SCALE

1: 1.2

FILENAME

CONVALVE-125P.VSD

DATE

13/06/2019