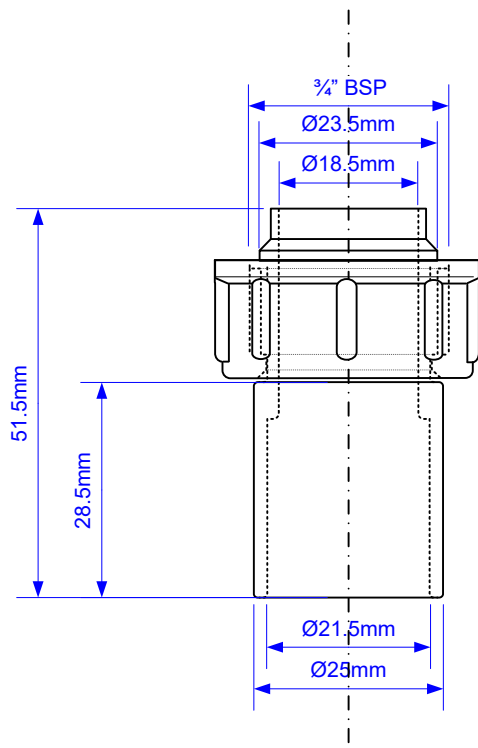


Code:

R6A



Drawing verified
correct as of:

27/03/2013
RM

DRAWN BY

RM

REVISED

SCALE

1: 1

FILENAME

R6A.VSD

DATE

27/03/2013