

Code:

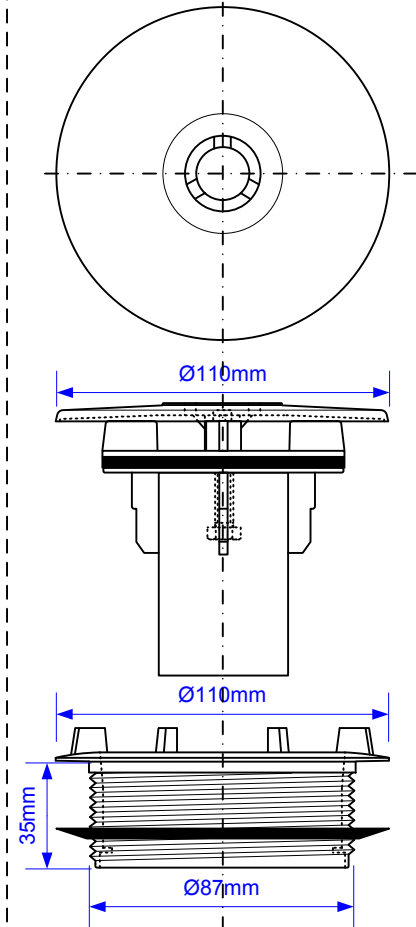
90mm x 50mm Traps

Height = 82mm, Flowrate = 26 l/min

MALPINE
Plumbing Products

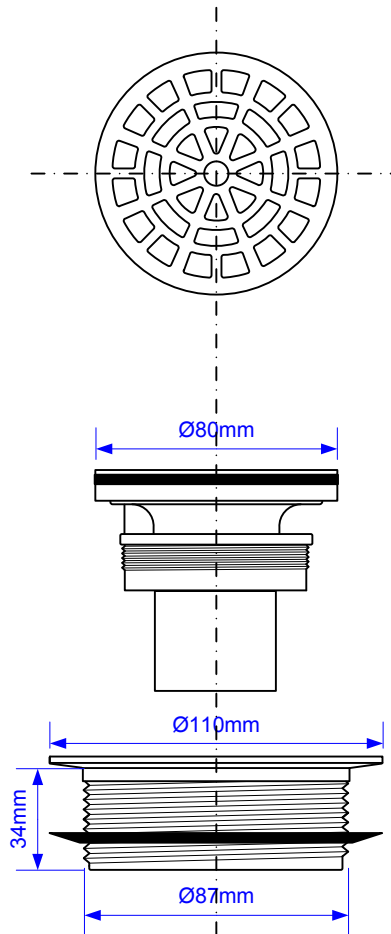
Grid and Flange dimensions for:

ST90CB10
ST90CP10
ST90WH10



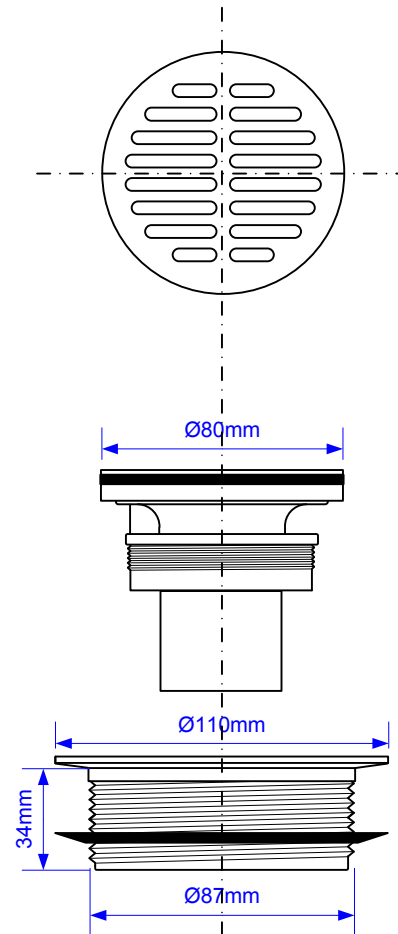
Grid and Flange dimensions for:

ST90CPB-P

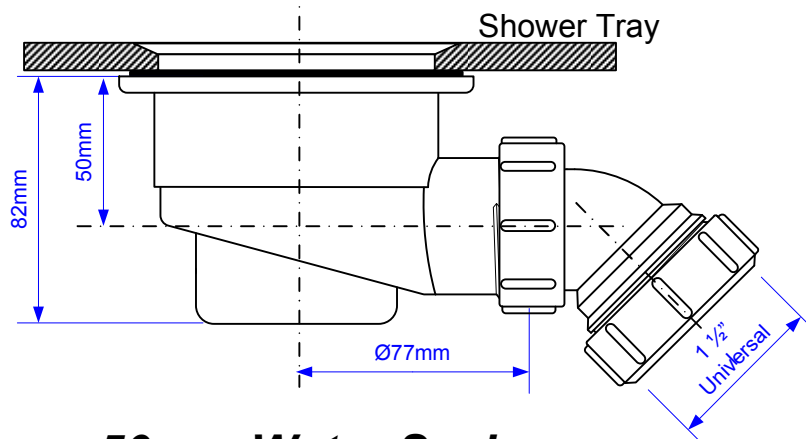


Grid and Flange dimensions for:

ST90CPB-S



Each product
uses this
Trap Body



50mm Water Seal

Drawing verified
correct as of:

24/08/2017
RM

DRAWN BY

RM

REVISED

SCALE

1: 2.5

FILENAME

ST90XX10 RANGE.VSD

DATE

24/08/2017