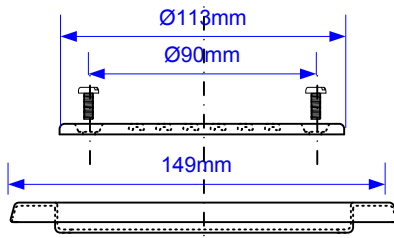
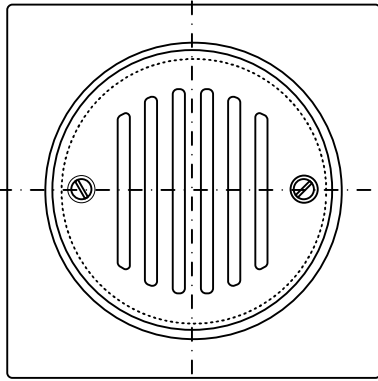


Code:

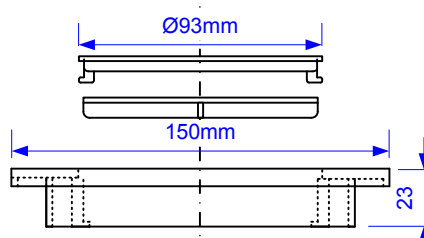
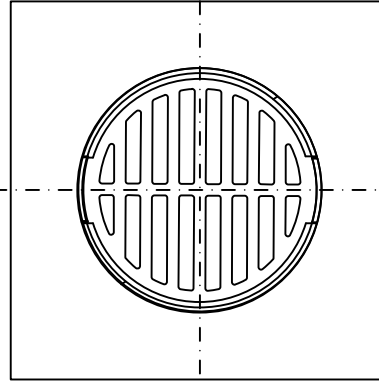
2-Piece Gullies with Non-Return Valves for use with Tiled Flooring.

MALPINE
Plumbing Products

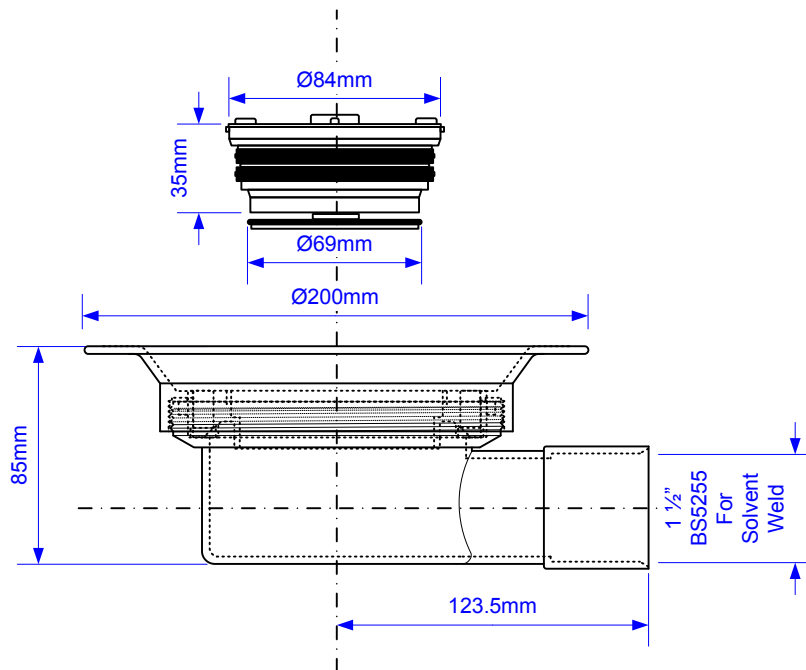
Grid dimensions for
TSG52T6SS



Grid dimensions for
VSG52T6WH



Each product uses this Trap Body and Non-Return Valve



Drawing verified correct as of:

28/08/2017
RM

DRAWN BY

RM

REVISED

SCALE

1:3

FILENAME
TWO PIECE NON RETURN VALVE
TILED FLOORING GULLIES.VSD
DATE

28/08/2017