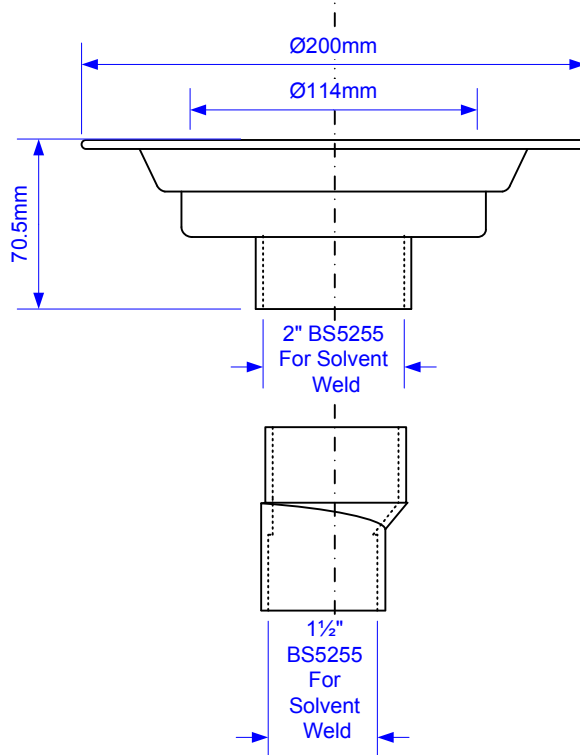
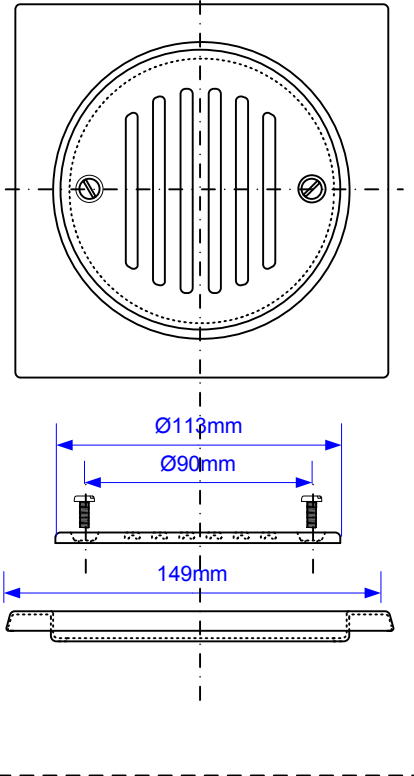


Code:

Untrapped Gully with 2" Vertical Outlet for use with Tiled Flooring.



Grid dimensions for
USG2T6SS (with screws)
USG2-T150SS (no screws)



Each product uses this Trap Body

Drawing verified correct as of:

28/08/2017
RM

DRAWN BY

RM

REVISED

SCALE

1: 3

FILENAME
UNTRAPPED 2-INCH VERTICAL TILED
FLOORING GULLIES.VSD

DATE

28/08/2017