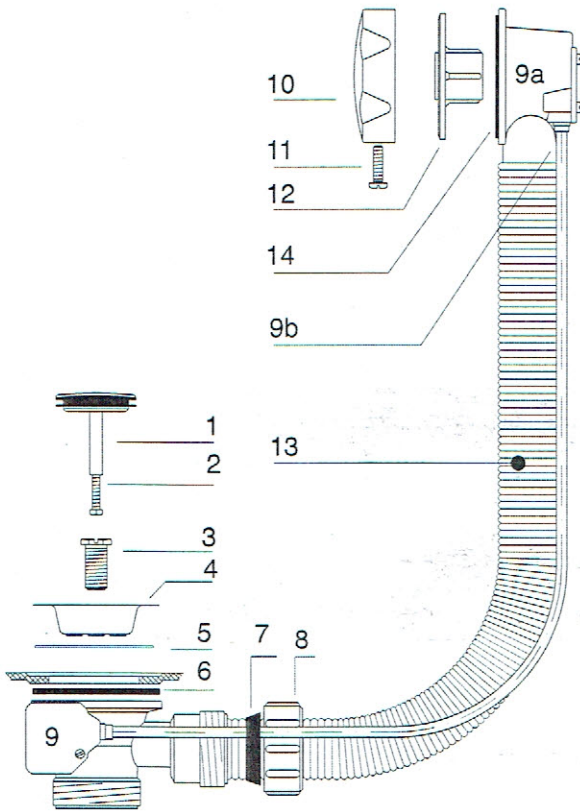


BATH "POP-UP" WASTE



- 1) Fit Sponge Seal(5) to Waste Grating(4)
- 2) Insert Waste Grating(4) into hole in bath from upper side
- 3) Fit Rubber Seal(6) to Waste Body(9) and offer Waste Body(9) to underside of bath.
- 4) Secure Grating(4) to Waste Body(9) by means of Fixing Screw(3)
Do not tighten firmly at this stage
- 5) Fit 2nd.Rubber Seal(6) to Overflow Head(9c) and offer this assembly to back of overflow opening, ensuring they are centrally positioned and then screw Overflow Face(12) on to central spindle. Ensure Control Cable(9b) is not twisted before fully tightening Overflow Face(12)
- 6) Centralise Grating(4) with Waste Body(9) by lining up ribs of each directly in line and tighten Fixing Screw(3) with a coin or suitable screwdriver. **Do not overtighten** - handtight plus 1/4 turn should be sufficient
- 7) Adjust Plug(1) by twisting Control Knob(10) to the 'up' position and then fix Plug height by use of Adjusting Screw(2)
- 8) Secure-Flexible Pipe(13) by tightening Compression Nut(8) against Compression Seal(7)

- | | |
|------------------------------|--------------------------|
| 1...Plug | 9...Waste Body |
| 2...Adjusting Screw | 9a..Overflow Head |
| 3...Centre Fixing Screw | 9b..Control Cable |
| 4...Waste Grating | 10..Control Knob |
| 5...Sponge Seal | 11..Locking Screw for 10 |
| 6...Rubber Seal | 12..Overflow Face |
| 7...Plastic Compression Seal | 13..Flexible Pipe |
| 8...Compression Nut | 14..Rubber Seal |

Note: Parts (9 - 9a and 9b) and (10 and 11) are Factory assembled