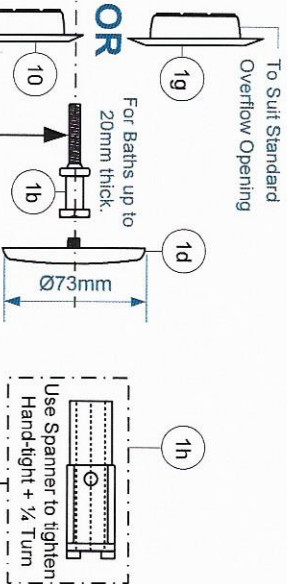
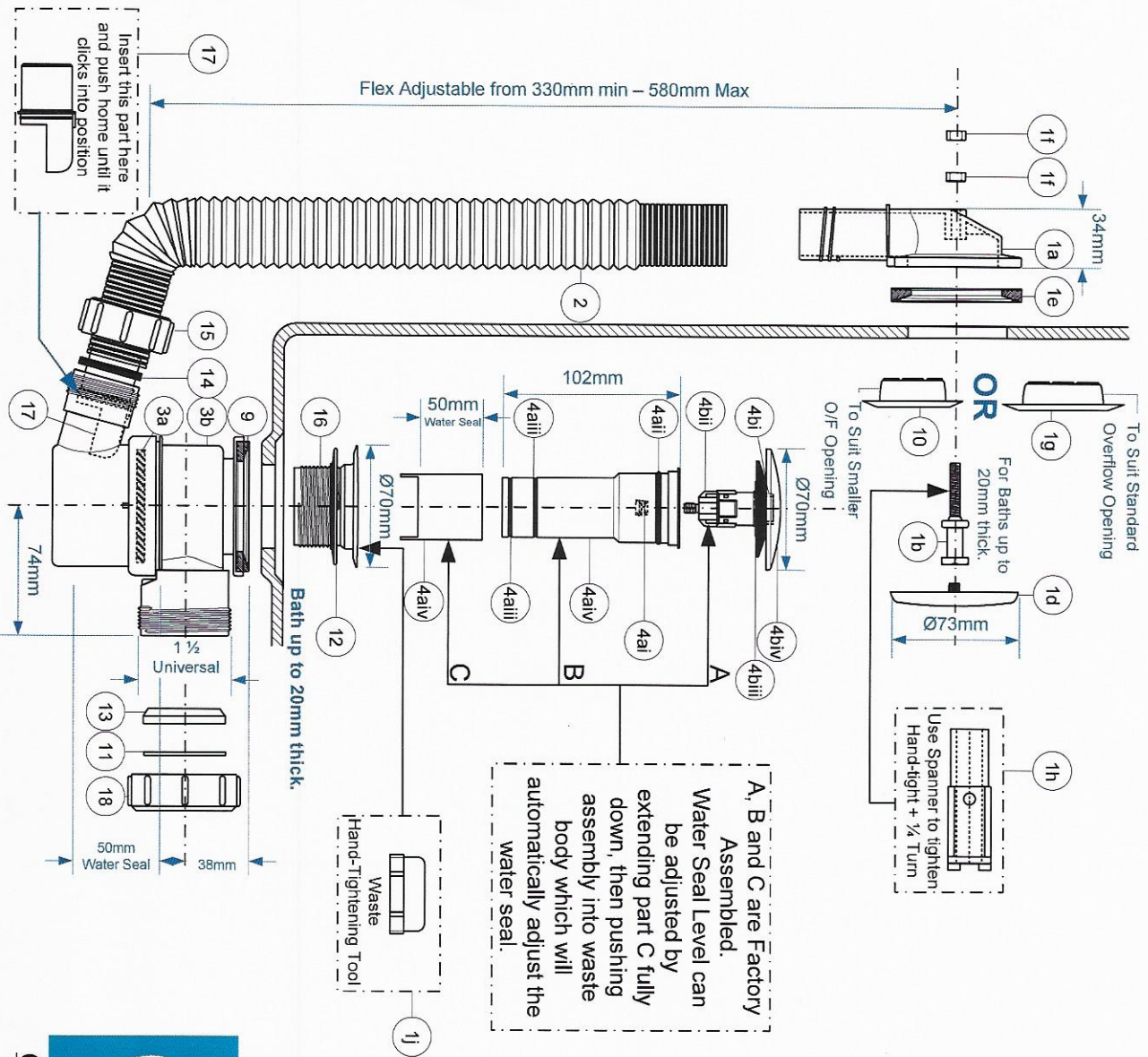
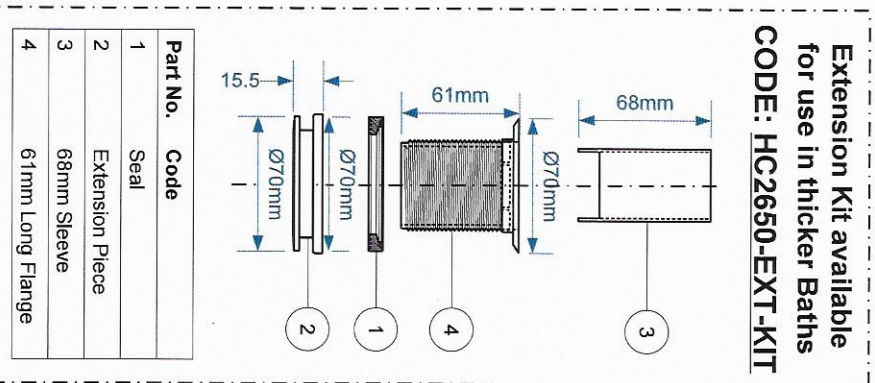


# Installation Instructions for: HC2650UK

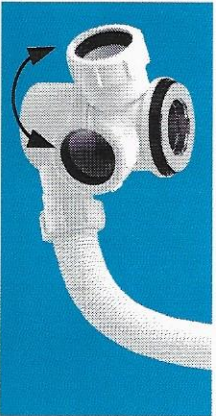
113mm high 1 1/2" Bath Trap with  
Overflow & Clicker Waste Plug & 50mm Seal



A, B and C are Factory Assembled. Water Seal Level can be adjusted by extending part C fully down, then pushing assembly into waste body which will automatically adjust the water seal.



Part No.	Code
1	Seal
2	Extension Piece
3	68mm Sleeve
4	61mm Long Flange



**OUTLET CAN BE ROTATED**

Part No.	Description
1	Bath Trap Overflow Sub-assembly
a	Slim Bathrose
b	61mm Long Ferrule
c	Plastic Bag (Not Shown)
d	Ø73mm Overflow Cover
e	Ø75x52x6.5mm Nitrile Rubber Seal
f	S.S. M6 Hex Nut
g	Ø73mm S.S. Grid
h	Spanner for O/F (Item 1b)
j	Shower Spanner (Item 19)
2	750mm Expanding Pipe
3	Clicker Body Sub-assembly
a	Seal for Clicker Body
b	Clicker Body with O/F
4	Tube and Plug Sub-Assembly
a	Tube Sub-Assembly
i	1/4 UNC x 7mm Insert
ii	37mm ID x 1.5mm O-Ring
iii	28mm ID x 1mm O-Ring
iv	2-Part Shower Trap Tube
b	CP Brass Clicker Plug
i	Spacer for Clicker Switch
ii	Clicker Switch
iii	Clicker Seal
iv	Ø73mm S.S. Clicker Cover
5	Leaflet (Not Shown)
6	Plastic Bag (Not Shown)
7	Carton (Not Shown)
8	Carton (Not Shown)
9	Ø75x52x6.5mm Nitrile Rubber Seal
10	Ø57mm S.S. Grid
11	1 1/2" Plastic Washer
12	TPE Seal
13	1 1/2" Rubber Multifit Olive
14	1 1/4" Nitrile Rubber Seal
15	1 1/2" Compression Nut
16	Ø70mm Flange -No Grating
17	Push Fit Flex Adaptor
18	1 1/2" Multifit Compression Nut

en

L-HC2650UK

© McAlpine & Co. Ltd October 2018