

CODE: ARB-1



Closed Position



Open Position

Fixing Instructions: -

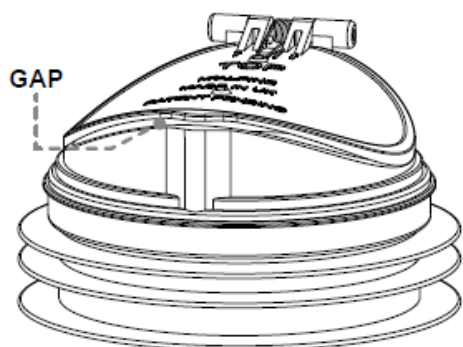
- 1) Remove Outlet Ribbed Seal from McAlpine WC Connector and discard.
- 2) Pushfit Anti-Rodent Barrier onto the end of the WC Connector.
- 3) When fitted in the horizontal position, ensure that the hinge and alignment tag are fitted at the top.
- 4) When fitted in the vertical position, ensure that the hinge and alignment tag are fitted at the back.

Note:

Before installation, ensure that the ARB cover flap is fully closed and there are no gaps between the ARB cover and its sealing face. If any gaps are found, there is a pliable stainless steel mesh moulded into the cover which allows it to be quickly remoulded into shape by bending the cover in the necessary direction by hand. For example should there be a gap at the bottom of the part flexing open the outer edges of the cover slightly will provide the necessary reshaping required to fully close the unit.

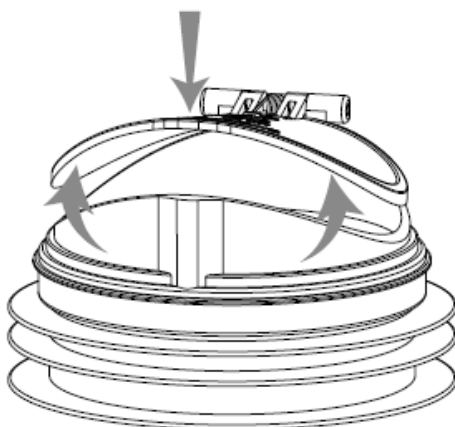
1

Gap between cover and the sealing
sealing surface



2

Lift cover, and flex in the direction
of the arrows shown below to form
a seal



3

When the cover is in place, there
should be no gap and the unit
will be sealed and ready to install

