


### WC CONNECTOR WALL FLANGES

	TO FIT OVER PIPE SIZE
Code: WC17-90	90mm
Code: WC17-110	110mm
Code: WC17-114	114mm

### ANTI CROSS-FLOW AND RODENT BARRIER VALVE



Code: ARB-1

## McALPINE Plumbing Products

McALPINE & CO. LTD.,

Kelvin Avenue, Hillington, Glasgow G52 4LE.

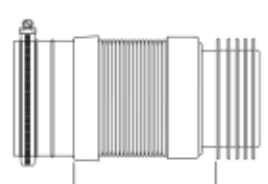
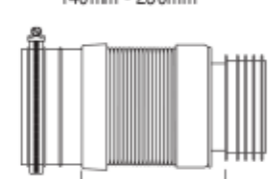
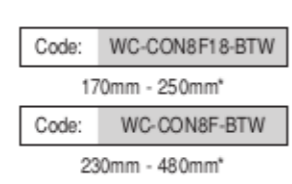
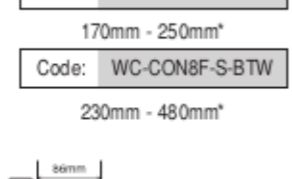
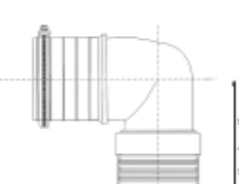
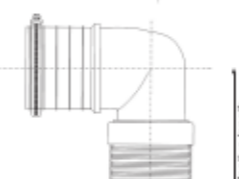

Telephone: 0141-882 3213

Fax: 0141-891 5065

Fax: Orders (Sales Office) 0141-883 5697

Website: www.mcalpineplumbing.com

### FLEXIBLE WC CONNECTORS FOR BACK TO WALL WC PANS

	Code: WC-F21R	140mm - 280mm*
	Code: WC-F21S	140mm - 280mm*
	Code: WC-CON8F18-BTW	170mm - 250mm*
	Code: WC-CON8F-BTW	230mm - 480mm*
	Code: WC-CON8F18-S-BTW	170mm - 250mm*
	Code: WC-CON8F-S-BTW	230mm - 480mm*
	Code: WC-CON-EXT	STRAIGHT EXTENSION

- Tested to BS5627: 1984.
- Tests prove conclusively that there is no build-up of sediment.
- Keep sharp tools and abrasive materials away from flexible pipe.
- WHEN INSTALLING THE WC CONNECTOR TO THE WC PAN SPIGOT WE RECOMMEND THAT THE INLET SOCKET OF THE CONNECTOR BE LUBRICATED WITH CLEAN WATER THEN PUSHED FIRMLY ON TO THE SPIGOT OF THE WC PAN. THE SOIL PIPE TO BE CONNECTED TO THE CONNECTOR OUTLET SHOULD BE CUT SQUARE AND FREE OF ANY DEBRIS. THE FINNED SEAL SPIGOT OUTLET OF THE WC CONNECTOR MAY BE LUBRICATED WITH SILICONE GREASE TO AID INSTALLATION INTO THE INTERNAL DIAMETER OF THE SOIL PIPE.
- Do not over tighten the jubilee clip.
- Power tools must not be used to tighten the jubilee clip.
- Do not over extend or pull over the recommended length.
- Installations requiring an extended straight length should be supported.
- Ensure all joints are secure before final fix of the WC pan.
- Do not attempt to clear blockages with the use of drain rods.

### FIXING ADVICE



We would recommend the use of a Flexible Hose Clip Driver as illustrated to tighten the jubilee clip. (Standard 7mm driver for hose clips as shown).

Please note: When these products are used on excessively misshapen pan outlet spigots, the use of silicone sealant can be an advantage to ensure an air and water tight seal is achieved.

## McALPINE Plumbing Products





### Rigid, Flexible and MACFIT WC Connectors







### FIXING INSTRUCTIONS & DIMENSIONAL LEAFLET






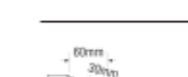






### Rigid WC Connectors

- Tested to BS5627.
- All inlet seals will fit 97-107mm diameter pan spigot.
- All outlet seals will fit inside 4"/110mm diameter pipe except WC-CON2B, WC-CON5B, WC-CON7B, WC-EXTB and WC-EXTD which fit inside 3 1/2"/90mm diameter pipe.
- Connectors with a plain end have an outside diameter of 110mm.
- WHEN INSTALLING THE WC CONNECTOR TO THE WC PAN SPIGOT WE RECOMMEND THAT THE INLET SOCKET OF THE CONNECTOR BE LUBRICATED WITH CLEAN WATER THEN PUSHED FIRMLY ON TO THE SPIGOT OF THE WC PAN. THE SOIL PIPE TO BE CONNECTED TO THE CONNECTOR OUTLET SHOULD BE CUT SQUARE AND FREE OF ANY DEBRIS. THE FINNED SEAL SPIGOT OUTLET OF THE WC CONNECTOR MAY BE LUBRICATED WITH SILICONE GREASE TO AID INSTALLATION INTO THE INTERNAL DIAMETER OF THE SOIL PIPE.

	Code: WC-CON1
	Code: WC-CON1V
	Code: WC-CON2
	Code: WC-CON2B


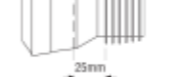

	Code: WC-CON3
	Code: WC-CON4
	Code: WC-CON4A
	Code: WC-CON4B
	Code: WC-CON5
	Code: WC-CON5B



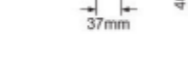

	Code: WC-CON6
	Code: WC-CON7
	Code: WC-CON7A
	Code: WC-CON7B
	Code: WC-CON8
	Code: WC-CON8E





	Code: WC-CON8V
	Code: WC-CON9
	Code: WC-CON9V
	Code: WC-CONQ

### MACFIT (patent pending) WC Connectors Manufactured in EVA





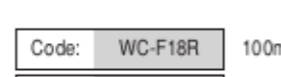
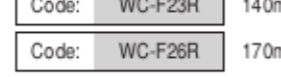




- Tested to BS 5627 : 1984
- Inlet seals will fit Pans manufactured to BS 5503/4 and BS 1213.
- Outlet seals will fit inside 4"/110mm diameter pipe except MAC-EXTB which fits inside 3 1/2"/90mm pipe and MAC-EXTC which fits inside 3"/75mm pipe.
- WHEN INSTALLING THE WC CONNECTOR TO THE WC PAN SPIGOT WE RECOMMEND THAT THE INLET SOCKET OF THE CONNECTOR BE LUBRICATED WITH CLEAN WATER THEN PUSHED FIRMLY ON TO THE SPIGOT OF THE WC PAN. THE SOIL PIPE TO BE CONNECTED TO THE CONNECTOR OUTLET SHOULD BE CUT SQUARE AND FREE OF ANY DEBRIS. THE FINNED SEAL SPIGOT OUTLET OF THE WC CONNECTOR MAY BE LUBRICATED WITH SILICONE GREASE TO AID INSTALLATION INTO THE INTERNAL DIAMETER OF THE SOIL PIPE.

	Code: MAC-1
	Code: MAC-3
	Code: MAC-4




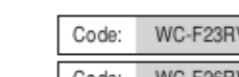



	Code: MAC-4A
	Code: MAC-7A
	Code: MAC-8
	Code: MAC-8L





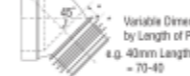

	Code: MAC-EXTA
	Code: MAC-EXTB
	Code: MAC-EXTC
	Code: MACLINK

### STANDARD CONNECTORS

	EFFECTIVE LENGTH MIN/MAX	EFFECTIVE LENGTH MIN/MAX
	Code: WC-F18R	100mm - 160mm
	Code: WC-F23R	140mm - 290mm
	Code: WC-F26R	170mm - 410mm
	Code: WC-F18S	100mm - 160mm
	Code: WC-F23S	140mm - 290mm
	Code: WC-F26S	170mm - 410mm
	Code: WC-F23P	130mm - 260mm
	Code: WC-F26P	160mm - 380mm
	Code: WC-CON8F	220mm - 400mm
	Code: WC-CON8F18	190mm - 270mm

### CONNECTORS WITH 1/4" UNIVERSAL BOSS

	EFFECTIVE LENGTH MIN/MAX	EFFECTIVE LENGTH MIN/MAX
	Code: WC-F23RV	150mm - 280mm
	Code: WC-F26RV	180mm - 380mm
	Code: WC-F23PV	140mm - 260mm
	Code: WC-F26PV	170mm - 380mm
	Code: WC-F23SV	150mm - 280mm
	Code: WC-F26SV	180mm - 380mm
	Code: WC-CON8FV	220mm - 400mm

	Code: WC-CONQP
	Code: WC-CONI6
	Code: WC-EXTA
	Code: WC-EXTB
	Code: WC-EXTC
	Code: WC-EXTD

### Flexible WC Connectors

- All inlet seals will fit 97-107mm diameter pan spigot.
- WC-F18R : WC-F23R : WC-F26R : WC-F23RV : WC-F26RV : WC-CON8F and WC-CON8FV fit inside 4"/110mm diameter pipe.
- WC-F18S : WC-F23S : WC-F26S : WC-F23SV and WC-F26SV fit inside 3 1/2"/90mm diameter pipe.
- Connectors with a plain end have an outside diameter of 110mm.
- All Connectors with 1 1/4" Universal Boss include Blank Cap with 1 1/2" BSP Thread.
- Installations requiring an extended straight length should be supported firmly to prevent any sagging.
- Do not attempt to clear blockages with the use of drain rods.
- WHEN INSTALLING THE WC CONNECTOR TO THE WC PAN SPIGOT WE RECOMMEND THAT THE INLET SOCKET OF THE CONNECTOR BE LUBRICATED WITH CLEAN WATER THEN PUSHED FIRMLY ON TO THE SPIGOT OF THE WC PAN. THE SOIL PIPE TO BE CONNECTED TO THE CONNECTOR OUTLET SHOULD BE CUT SQUARE AND FREE OF ANY DEBRIS. THE FINNED SEAL SPIGOT OUTLET OF THE WC CONNECTOR MAY BE LUBRICATED WITH SILICONE GREASE TO AID INSTALLATION INTO THE INTERNAL DIAMETER OF THE SOIL PIPE.
- Do not over extend or pull flex off inlet and outlet locations. Extend flex by pulling from the middle of the flex and not from the fixture locations.

