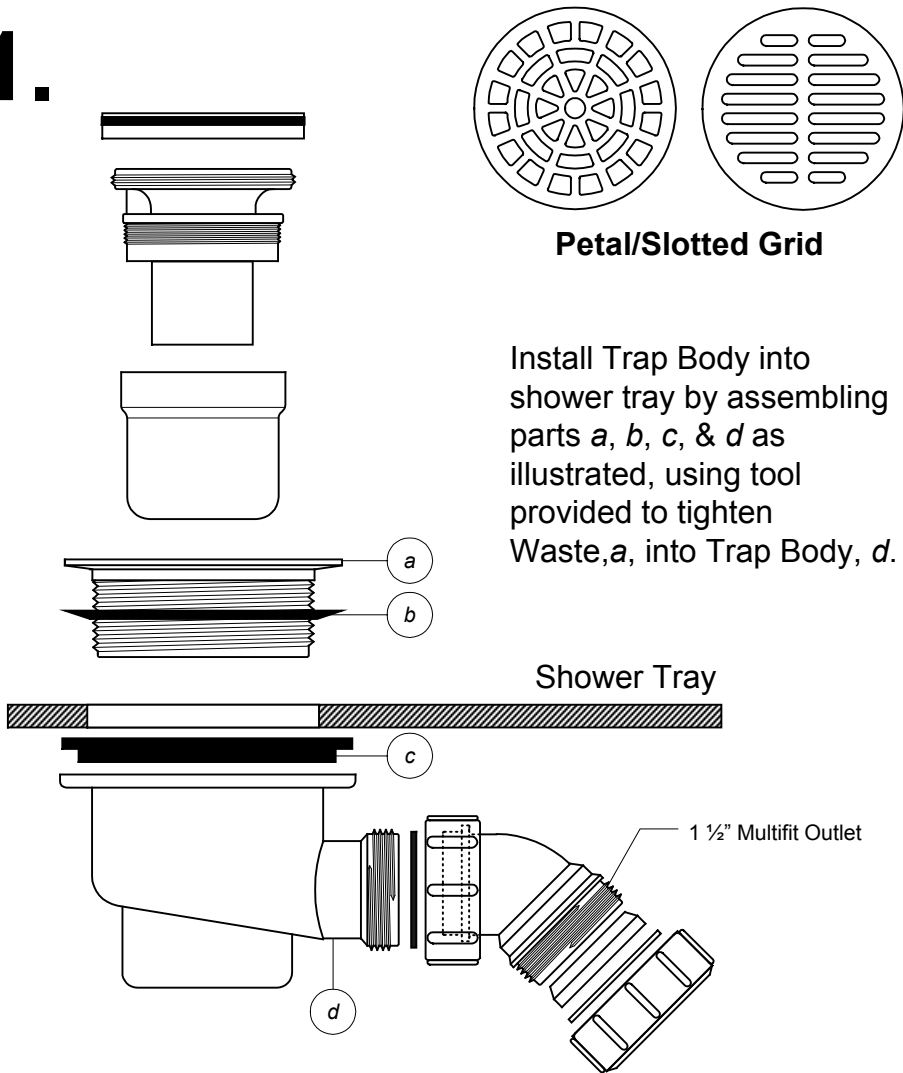


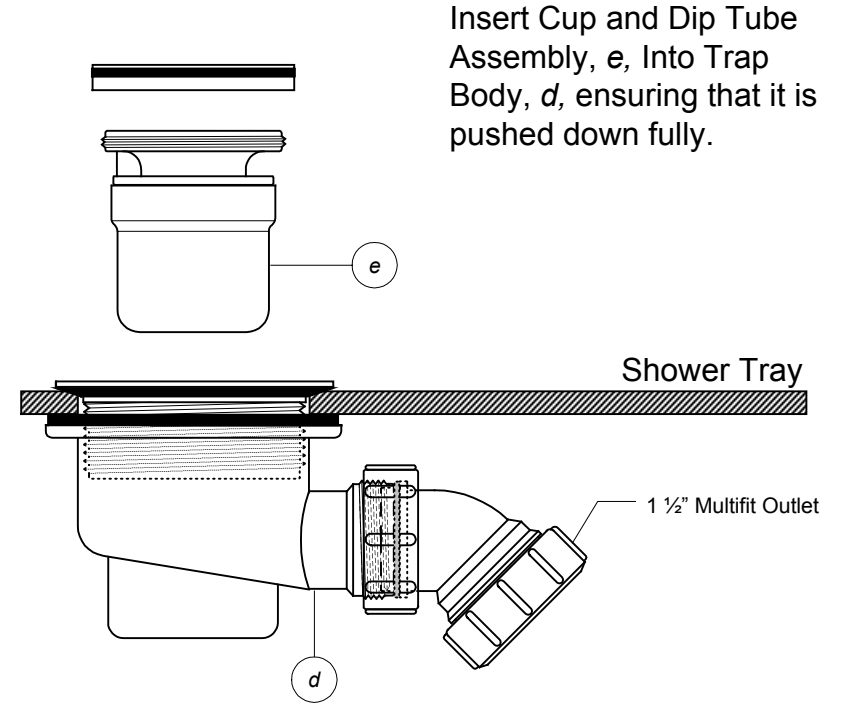
Installation Instructions For:

ST90CPB-P
ST90CPB-S

1.



2.



3.

