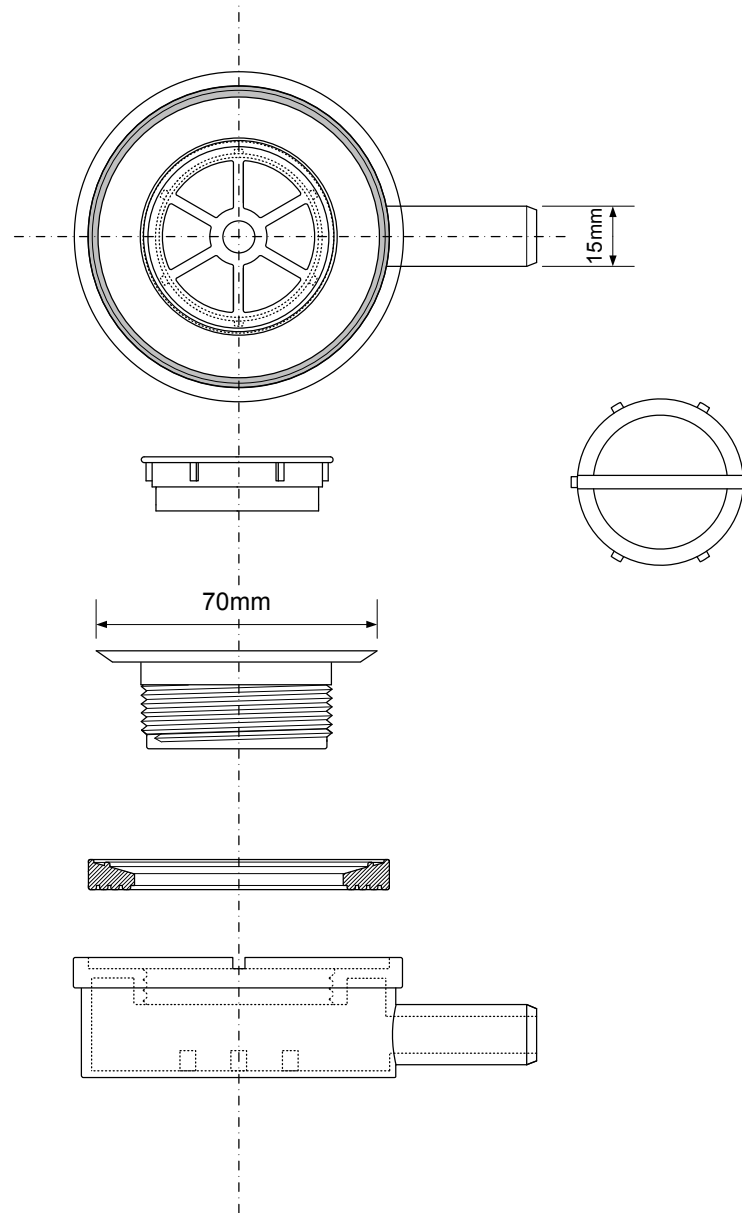


## Installation instructions for **UPSW-2**



- 1) Remove grid and waste from waste body.
- 2) Place sealing washer in recess on top of waste body and offer assembly to the underside of the shower tray.
- 3) From the top side of the shower trap insert waste through waste hole into waste body.
- 4) Locate fixing key into waste. Position waste body in the final desired position and fully tighten.
- 5) Ensure all connection are fully cleaned before connection pipe work to outlet spigot.
- 6) Using 15mm pipe and Push fit fitting (not Supplied) connect outlet spigot to Drain Pump.
- 7) Remove grid and waste from waste body.
- 8) On Completion, a visual inspection of the waste outlet should be carried out to ensure that it is clean and free from debris.
- 9) Test the Installation

### Note:

It should be possible to fully fit the shower waste to the tray before the tray is placed in final position.

Where a sealant is required, Dow Corning 794 or equivalent should be used.