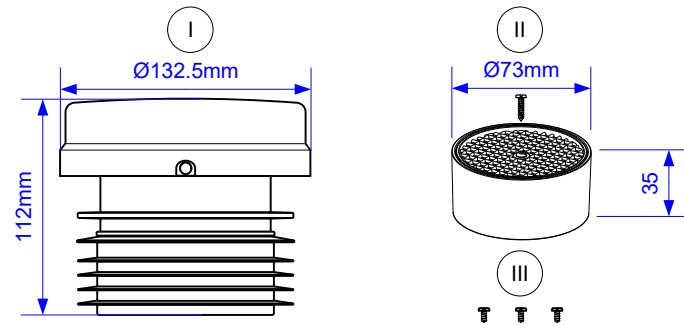
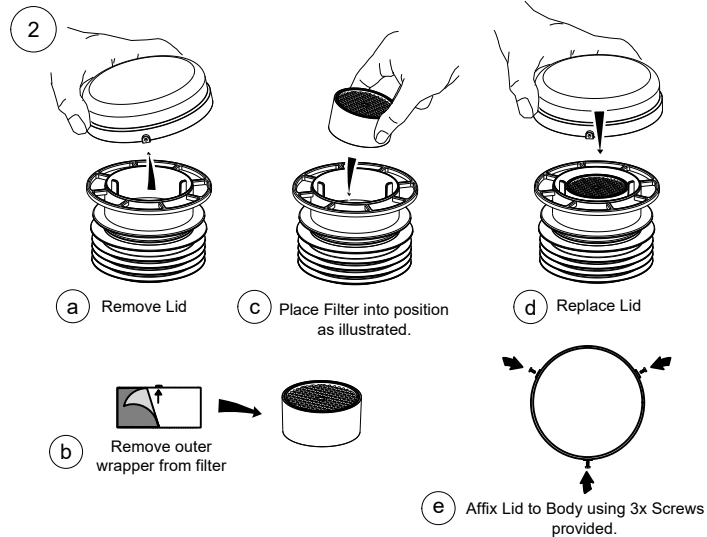
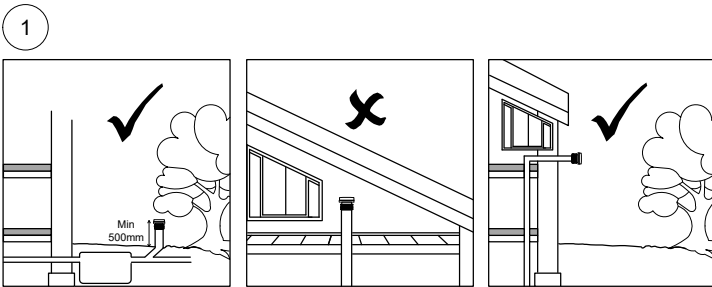


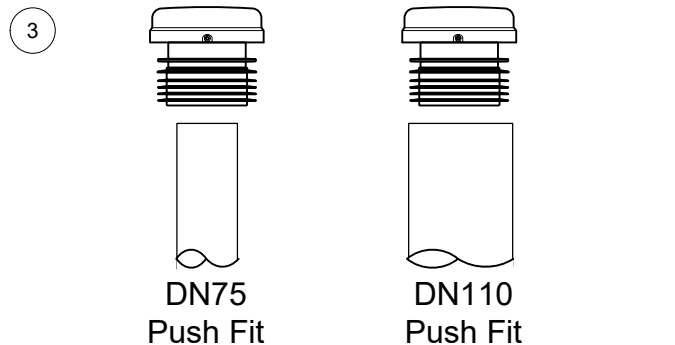
McALPINE MACFILTER



Installation



Dispose of expired cartridge responsibly



AIRFLOW CAPACITY	
Pressure (Pa)	Flow Rate (l/s)
100	----
250	5l/s
500	----

COMPONENTS

EN

- I McAlpine MACFILTER with Finned Connector.
- II Replaceable Cartridge - Product Code: CARBON-CAR
- III 3 x Stainless Steel Thermoplastic POZI-drive Screws

OPERATION

The McAlpine MACFILTER is a two-way active carbon filter for external installation to eliminate bad odours produced by the drainage system.

For use with septic tanks, grease separators, rain water tanks, lifting equipment and sewage treatment plants (STPs). The MACFILTER may also be installed on open vents in conjunction with McAlpine Ventapipes – either where the open vents already exist, or for new-builds where regulations insist on their inclusion within the building's drainage system.

For best results, the McAlpine MACFILTER should be installed in conjunction with McAlpine Air Admittance Valves.

ATTENTION!

- The McAlpine MACFILTER must be installed in a clean air environment, free of dust, grease and solvents.
- The stack pipe must be cut square and be free from dirt and swarf.
- The replaceable cartridge should only be removed from its full packaging and inserted after all building work in the installation area has been fully completed.

INSTALLATION GUIDELINES

1. The McAlpine MACFILTER must be installed in an external location only, as close as possible to the tank, which may also be used to provide an extra rodding point for the drain field pipework. Install horizontally, at an angle, or vertically. Do NOT install at an angle greater than 90 degrees.

Install a minimum of 500mm above ground level or snow level.

For septic tank installations, run a pipe of a minimum of Ø100mm below ground from the exit line of the tank, connected via a Y junction, to a suitable area.

McAlpine MACFILTER can be used with Septic Tanks, Grease Separators, Rain Water Tanks, Lifting Stations and on Drainage Vents.

McAlpine MACFILTER is 132.5mm in Diameter and therefore requires at least 133mm of space to be installed.

2. Replace the filter cartridge two-yearly as a minimum (initial filter cartridge is supplied.) In installations with high odour saturation the carbon filter should be replaced more regularly when odour becomes noticeable. The cap can be unscrewed and lifted off to allow for easy access to the carbon filter.
3. No specialist installation is required – the McAlpine MACFILTER is commonly installed as a push-fit connector, which allows its fixture to pipes sized 75mm or 110mm.
4. When the McAlpine MACFILTER is installed outside in the open air, it can withstand temperatures from between -20C to +60C. The cover protects it from animals/birds and environmental damage caused by inclement weather or UV damage from the sun.

If fitted to a sewage treatment plant with an air-blower which is dependant on a positive air flow rate, refer to the Sewage Treatment Plant manufacturer's installation instructions, as multiple MACFILTERs may be required.

Follow your local building/plumbing regulations.
For more information visit www.mcalpineplumbing.com or contact your local distributor.

