

**NEW**

|           |        |     |  |
|-----------|--------|-----|--|
| CI/Sfb    | (52.6) | In6 |  |
| July 2018 |        |     |  |

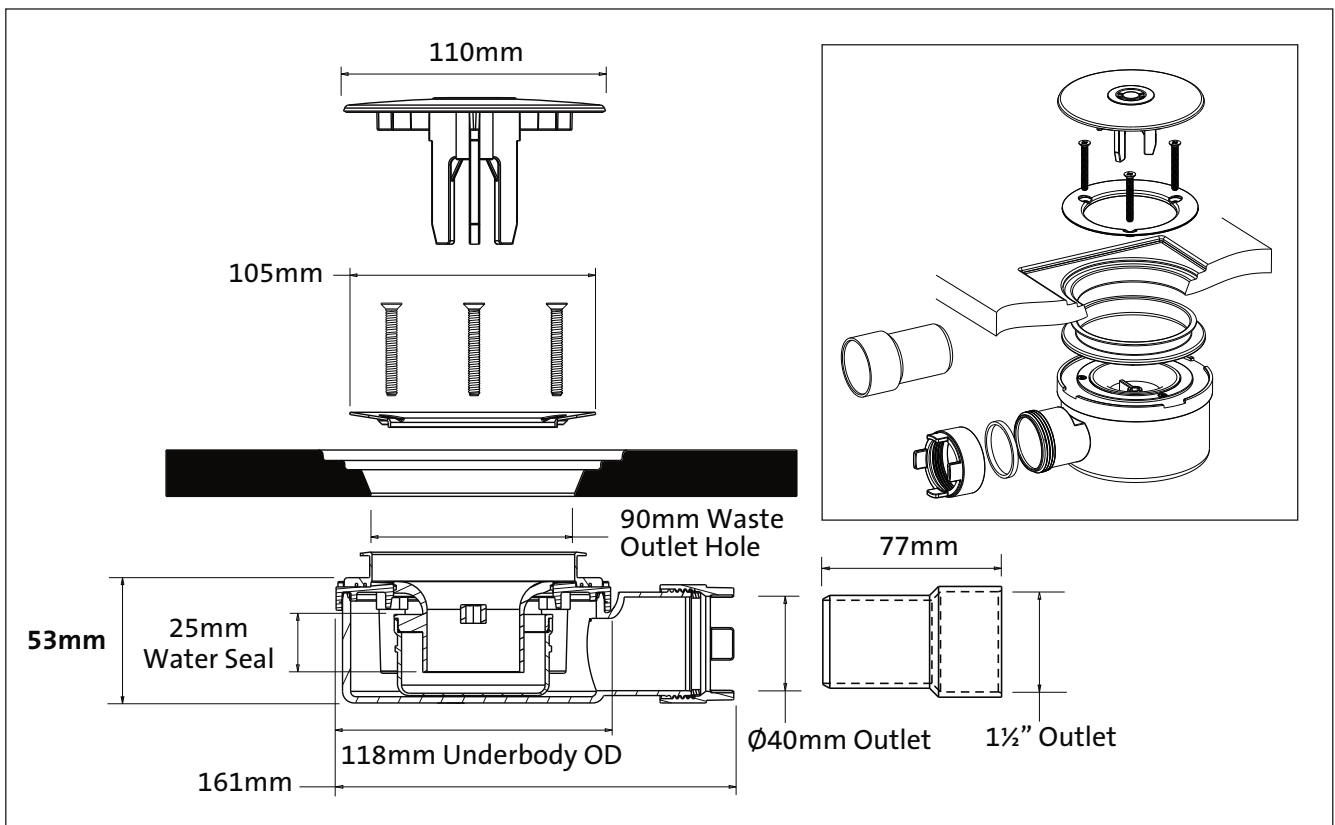
**McALPINE**  
Plumbing Products

## Slimline Shower Trap

- Available with choice of CP plastic or brass flange
- Suitable for shower trays with a 90mm waste outlet hole
- Overall height 53mm
- Stainless steel clamping ring with 3 screws for secure connection to shower tray
- 25mm water seal
- 1½" solvent weld outlet socket
- Removable 110mm flange to facilitate top access easy cleaning
- Flow rate 24 l/min when tested under a constant 15mm head of water in accordance with clause 5 of BS EN 274-2:2002



## Slimline Shower Trap



**90mm x 25mm Water Seal Slimline Shower Trap** with 1½" solvent weld outlet socket.

Overall Height 53mm



CP Plastic Flange

Code **ST90CP10-53**



CP Brass Flange

Code **ST90CB10-53**



CP Brass Flange

Code **ST90CPB-P-53**



CP Brass Flange

Code **ST90CPB-S-53**